



CBS22 SERIES

2x2 Center Basket Selectable LED Troffer

Catalog Number	
Project	Type

FEATURES & SPECIFICATIONS

APPLICATION — The Techlight center basket, selectable, troffer includes the ability to adjust CCT and Lumen output with the flip of a selector switch. CBS provides impressive appearance and soothing glare diffusion, as well as high efficiency illumination and CCT adjustment, within a single fixture. Adjustments from a warm 3500K to a crisp 5000K, along with full range brightness adjustment. This fixture series allows setting of the ambiance necessary for the application, in one simple step. From welcoming entryways to invigorating office spaces, banks, supermarkets, or even libraries. This 2x2 provides an output range from 3170LM to 4560LM at 24W to 36W, with an efficacy that reaches 132 lm/w.

CONSTRUCTION — Low profile body with matte white sloped side members. Extruded acrylic lens. The CBS housing is constructed of structurally embossed, 22 gauge cold rolled steel. Shallow, light housing for easy installation. Post painted body with smooth sides for safe handling. Extra reinforcement in the body to create additional rigidity.

FINISH — Post painted housing and components with a Lighting White Polyester type paint which has a UV stabilizer included with a 93% reflectivity. Raw steel goes through our wash system and pretreatment "rust inhibitor" before passing through a preheat oven. After the paint is applied, the fixture then passes through the cure oven for maximum adhesion. Each fixture is painted to a minimum of 2-3 mil thickness for extra durability.

DIFFUSER SYSTEM — High performance LED light engine delivers illuminance through diffused frosted acrylic lens. The linear diffused acrylic lens manages the balance between efficiency and aesthetics.

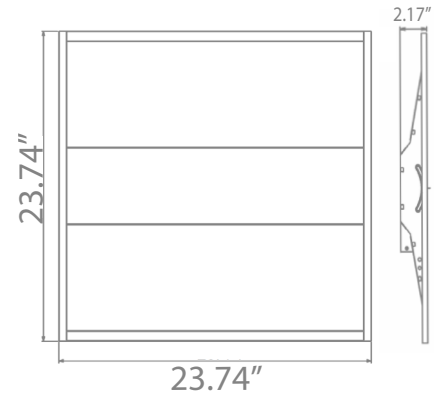
ELECTRICAL SYSTEM — Long life LEDs and high efficiency drivers work together to provide superior performance in an efficient package to deliver optimal performance. LEDs available in 3500K, 4000K and 5000K. Electronic drivers are available in 100-347 volt applications. 0-10V dimming capability provided standard. Bulb Operating Temperature Range -25C to 40C.

LISTINGS — ETL IC rated for dry and damp locations.

WARRANTY — The complete luminaire is covered by a 5-year limited warranty.



SERIES	HOUSING HEIGHT	LENGTH & WIDTH
CBS22	2.17"	23.74" x 23.74"



ORDERING INFORMATION

Choose the bold face options for the appropriate luminaire configuration for your application and enter on the line above each fixture attribute. Accessories may be factory installed, depending on the particular accessory chosen, but still be ordered as a separate line item.

EXAMPLE:

CBS22 40 5L 3

CBS22	(35, 40, 50)			
SERIES	COLOR TEMP ¹	WATTAGE & NOMINAL LUMENS	VOLTAGE	OPTIONS
	35 = 3500K 40 = 4000K 50 = 5000K <small>DEFAULTED AT 40</small>	3L = 24W, 3,000 Nominal Lumens 4L = 30W, 4,000 Nominal Lumens 5L = 36W, 5,000 Nominal Lumens <small>SEE TECHNICAL DATA BELOW FOR ACTUAL LUMENS</small>	3 = 100-347VAC	HOEB = LED Battery Pack, 90 min AC63 = 6' x 3X 18AWG, 3/8" dia., Armored Conduit Flex Cable AC64 ² = 6' x 4X 18AWG, 3/8" dia., Armored Conduit Flex Cable

Notes:

- ¹ CCT pre-set by factory. Specify CCT on purchase order.
- ² Must be used with HOEB if AC is required.

ACCESSORIES

FK22CBS Flange Kit for 2x2 (HLF2X2TRIMKIT-2WWHM)

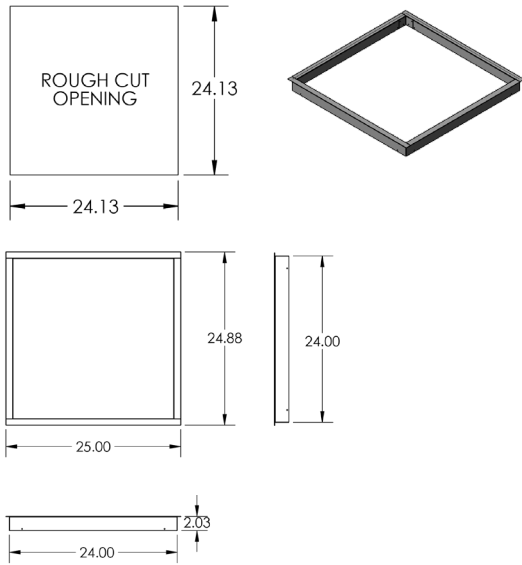


DesignLights Consortium® Qualified. Please go to www.designlights.org for the current Qualified Products List. Further details about qualified models may be found under Family Models.



CBS22 2x2 Center Basket Selectable LED Troffer

DIMENSIONS - Flange Kit (FK22CBS)



TECHNICAL DATA

Warm White (3500K)

Output ID	Delivered Lumens	System Wattage	LPW	L70 @ 25°C	Amperage Draw		
					120V	277V	347V
3L	3170	25.1W	127	>50K	0.20A	0.09A	0.07A
4L	3550	28.9W	126	>50K	0.24A	0.10A	0.08A
5L	4479	35.7W	125	>50K	0.30A	0.13A	0.10A

Neutral White (4000K)

Output ID	Delivered Lumens	System Wattage	LPW	L70 @ 25°C	Amperage Draw		
					120V	277V	347V
3L	3234	24.5W	132	>50K	0.20A	0.09A	0.07A
4L	3710	28.3W	131	>50K	0.24A	0.10A	0.08A
5L	4560	34.6W	129	>50K	0.29A	0.12A	0.10A

Cool White (5000K)

Output ID	Delivered Lumens	System Wattage	LPW	L70 @ 25°C	Amperage Draw		
					120V	277V	347V
3L	3213	25.3W	127	>50K	0.20A	0.09A	0.07A
4L	3602	29.3W	126	>50K	0.24A	0.11A	0.08A
5L	4549	36.2W	125	>50K	0.30A	0.13A	0.10A



DesignLights Consortium® Qualified. Please go to www.designlights.org for the current Qualified Products List. Further details about qualified models may be found under Family Models.



TECHLIGHT
INNOVATION IN ILLUMINATION

2707 SATSUMA | DR. DALLAS, TX 75229 | PH: 800.225.0727 | www.techlight.com