



Catalog Number	
Project	Type

FEATURES & SPECIFICATIONS

APPLICATION — The DLS Designer Lensed Strip light is designed to be a low maintenance, long life LED fixture with consistent color rendering. The low profile and narrow design makes it a versatile fixture that can fit in a number of surface or suspension mounted applications.

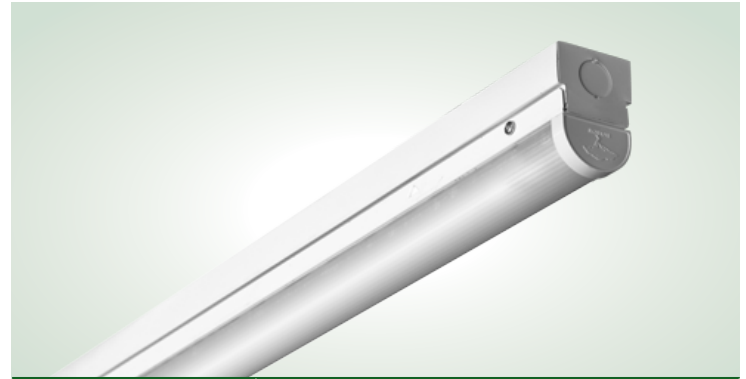
FEATURES — Premium 22 gauge steel housing crimped along sides for extra rigidity and straight alignment. Provided with a glare controlling frosted diffuser lens for an even distribution pattern and exceptional horizontal and vertical performance. Can be surface or suspension mounted. Numerous KO's for easy installation.

FINISH — Housing and components with a Lighting White Polyester type paint which has a UV stabilizer included with a 93% reflectivity. Each fixture is painted to a minimum of 2-3 mil thickness for extra durability.

ELECTRICAL SYSTEM — Long life LED's and high efficiency drivers work together to provide superior performance in an efficient package to deliver optimal performance. LED's available in 5000K 80 CRI, 4000K 80 CRI, and 3000K 80 CRI. Electronic drivers are available in 120/277 volt applications. Standard 0-10V dimming. Class 2 Driver standard. TM-21 projected L70 life is ≥60,000 hours.

DLS SERIES

Designer Lensed Strip



SERIES	LENGTH HEIGHT & WIDTH
DLS	47.81" x 2.88" x 2.02" (Dimensions are for the 4' model.)

LISTINGS — ETL listed. Classified according to the new 1598C safety standard.

WARRANTY — The complete luminaire is covered by a 5-year limited warranty.

ORDERING INFORMATION

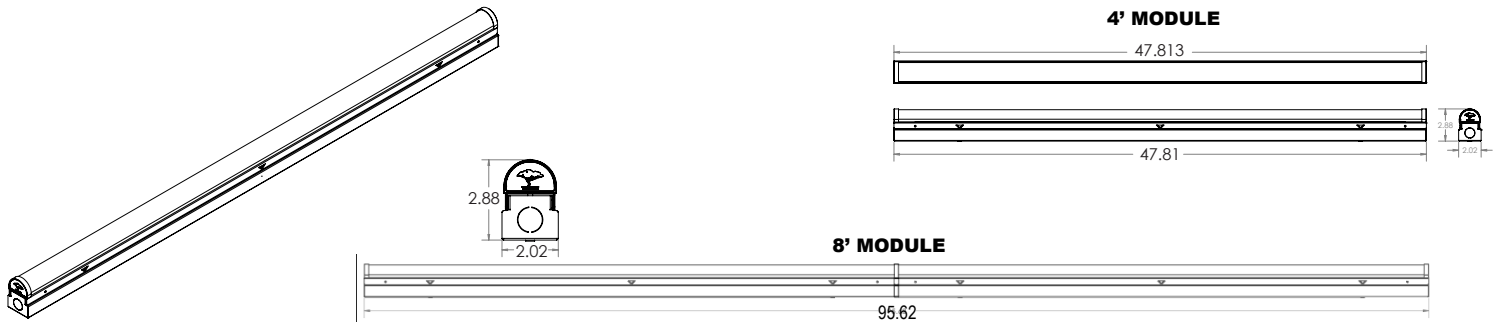
Choose the bold face options for the appropriate luminaire configuration for your application and enter on the line above each fixture attribute. Accessories may be factory installed, depending on the particular accessory chosen, but still be ordered as a separate line item.

EXAMPLE:

DLS 4 C 3L VWD 1 HOEB AC64

DLS	LENGTH	COLOR TEMP/CCT	NOMINAL LUMENS	LENS	VOLTAGE	OPTIONS
DLS	4 = 4'	C = Cool White (5000K, 80 CRI) N = Neutral White (4000K, 80 CRI) W = Warm White (3000K, 80 CRI)	3L = 3,000 Lumens 4L = 4,000 Lumens 5L = 5,000 Lumens 7L = 7,000 Lumens 8L = 8,000 Lumens 9L = 9,000 Lumens 10L = 10,000 Lumens	VWD = Very Wide 120°	1 = Multi-Volt (100-300V)	HOEB = LED Battery Pack, 90 min DLP = Dimming Leads Pulled WOC = Fixture Mounted Occupancy Sensor
DLS	8 = 8'	C = Cool White (5000K, 80 CRI) N = Neutral White (4000K, 80 CRI) W = Warm White (3000K, 80 CRI)	8L = 8,000 Lumens 9L = 9,000 Lumens 10L = 10,000 Lumens 12L = 12,000 Lumens 14L = 14,000 Lumens 15L = 15,000 Lumens 18L = 18,000 Lumens 20L = 20,000 Lumens			

FIXTURE DIMENSIONS



ACCESSORIES

(Order as separate line items)

- G10** 10' Aircraft Cable w/ 12" Arms (Set of 2)
- DLS4WG** 4' Wire Guard
- DLS8WG** 8' Wire Guard
- 10JC** (3)S Hooks and 10' Jack Chain Set
- CPNWxx¹** Aircraft Cable Pendant - no power feed
- CPWWxx¹** Aircraft Cable Pendant with power feed wireway
- AC63** 6' x 3X 18AWG, 3/8" dia., Armored Conduit Flex Cable
- AC64²** 6' x 4X 18AWG, 3/8" dia., Armored Conduit Flex Cable
- SJ6** 6', 3/8" dia., 16/3 SJ Cord
- C1** 6' Cord w/120V Nema Plug 16/3 15A
- C2** 6' Cord w/277V Nema Plug 16/3 15A

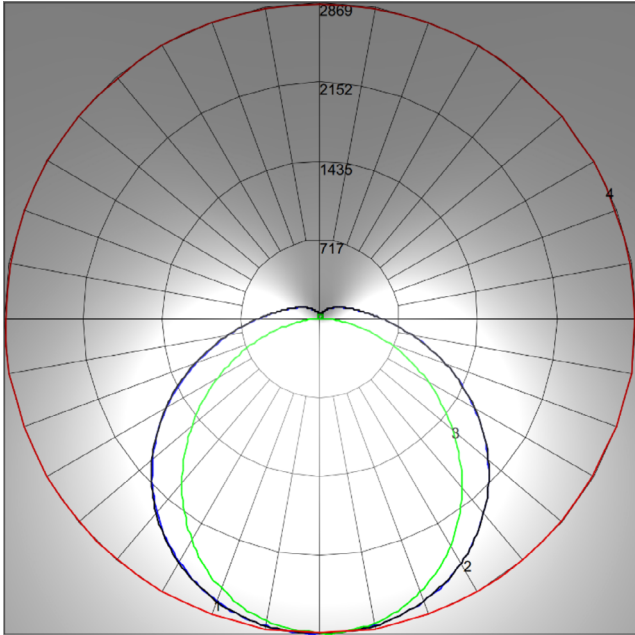
NOTES

- ¹ = "xx" Denotes pendant length. Order as 12", 15", 18", 21", 24" or 27" lengths.
- ² = Must be used with HOEB if AC is required.



PHOTOMETRIC CHARACTERISTICS

POLAR GRAPH



CHARACTERISTICS

Model Number: DLS8_10LVWD
 Length: 8ft
 CIE Type: Direct
 High Lumen Output
 Color Temperature: ANSI BIN 4000K & 5000K, 80CRI Min
 Luminaire Lumens: 10,137 Lumens
 Total Luminaire Watts: 68W
 Ballast Factor: 1.00

Maximum Candela = 2869.218 Located At Horizontal Angle = 190, Vertical Angle = 10
 # 1 - Vertical Plane Through Horizontal Angles (190 - 10) (Through Max. Cd.)
 # 2 - Vertical Plane Through Horizontal Angles (0 - 180)
 # 3 - Vertical Plane Through Horizontal Angles (90 - 270)
 # 4 - Horizontal Cone Through Vertical Angle (1) (Through Max. Cd.)

LUMINAIRE CHARACTERISTICS

Length	Nominal Lumens	Delivered Lumens		System Wattage	LPW	TM-21 L70 @ 25°C	Amperage Draw			
		4000K	5000K				120V	208V	240V	277V
4 ft	3L	3,105	3,105	20	155.3	≥ 60K	0.17	0.10	0.08	0.07
	4L	4,097	4,097	27	154.0	≥ 60K	0.22	0.13	0.11	0.10
	5L	5,068	5,068	34	149.7	≥ 60K	0.28	0.16	0.14	0.12
	7L	7,062	7,062	43	163.2	≥ 60K	0.36	0.21	0.18	0.16
	8L	8,094	8,094	51	158.2	≥ 60K	0.43	0.25	0.21	0.18
	9L	9,221	9,221	59	157.2	≥ 60K	0.49	0.28	0.24	0.21
	10L	10,122	10,122	65	155.9	≥ 60K	0.54	0.31	0.27	0.23
8 ft	8L	8,195	8,195	53	154.0	≥ 60K	0.44	0.26	0.22	0.19
	9L	9,130	9,130	61	150.4	≥ 60K	0.51	0.29	0.25	0.22
	10L	10,137	10,137	68	149.7	≥ 60K	0.56	0.33	0.28	0.24
	12L	12,015	12,015	73	164.6	≥ 60K	0.61	0.35	0.30	0.26
	14L	14,124	14,124	87	163.2	≥ 60K	0.72	0.42	0.36	0.31
	15L	14,943	14,943	92	162.4	≥ 60K	0.77	0.44	0.38	0.33
	18L	18,442	18,442	117	157.2	≥ 60K	0.98	0.56	0.49	0.42
	20L	20,244	20,244	130	155.9	≥ 60K	1.08	0.62	0.54	0.47



TECHLIGHT
INNOVATION IN ILLUMINATION