



# FESTOON LIGHTING POLES

## Outdoor Lighting Made Simple

### CUSTOMIZABLE POLE OPTIONS

Create a captivating outdoor ambiance with our premium festoon lighting poles. Crafted with precision, our festoon lighting poles are made of the same quality and craftsmanship as our other light pole fixture offerings. Fabricated from hot rolled carbon steel with a super durable polyester finish electrostatically applied in our state of the art paint facility.

The coating is first electrostatically applied and then each pole is heated to 350° which allows for better adherence of the powder coat finish. Our finishes are performance-tested and manufactured to satisfy the most demanding project requirements.

Standard and custom paint finishes are available upon request. Variety of pole heights, thickness, anchoring, and shape are available. Galvanizing and T-Guard treatments are also available for harsh weather environments. Enjoy brilliant, reliable lighting that shines brightly through rain or shine.

Transform any outdoor area into a mesmerizing oasis as these poles effortlessly blend with any setting, adding a touch of sophistication to your gatherings, activities, or events.

Reach out to your Local Sales Rep or call in to speak with one of our Customer Service Reps to get started! Call 1-800-225-0727 or email [techlight@techlight.com](mailto:techlight@techlight.com).

**Don't miss out on the chance to create magical outdoor moments with our stunning festoon lighting poles. Order now and bask in the enchanting glow of elegance and charm!**



**TECHLIGHT**

INNOVATION IN ILLUMINATION



## Call For Ordering

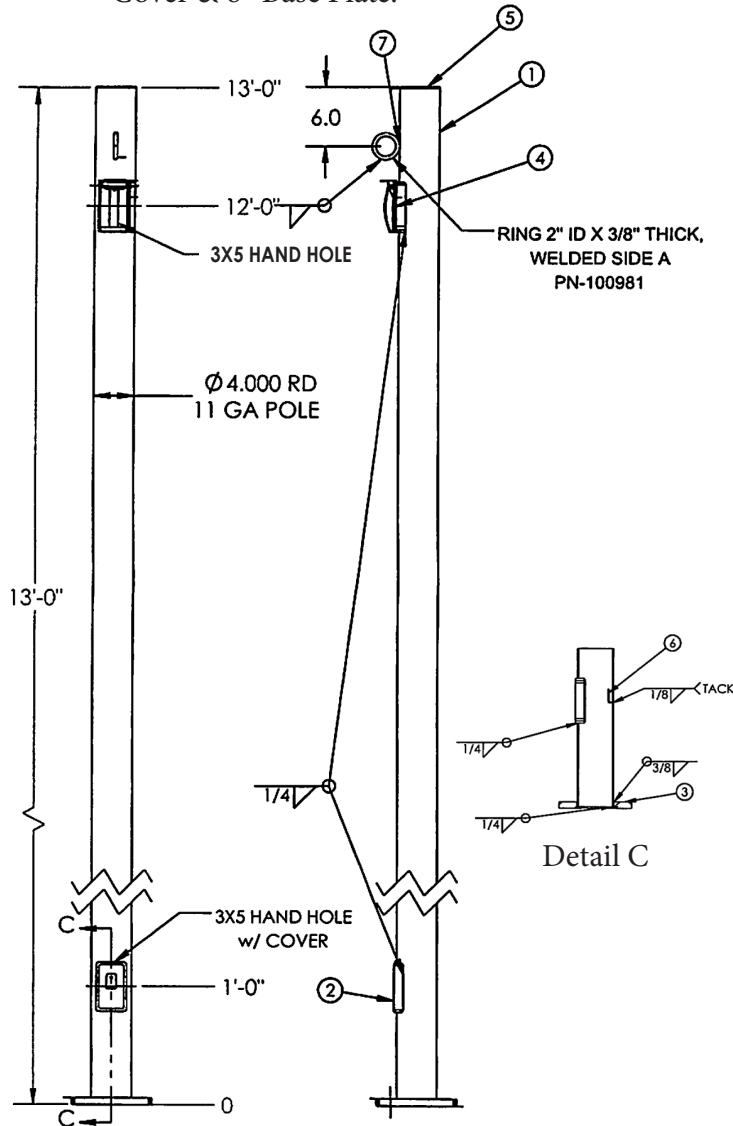
Our most common pole types used are the Round or Square Straight Poles and the Round or Square Direct Burial Poles.

These come with many of the same options available for our other pole offerings including but not limited to Anchor Bolt Kits, Ground Fault Receptacles, Additional Hand Holes, and Anti Vibration Devices, etc.

Commonly ordered at 12' or 13' heights (examples shown below), but we also have options from 10' to 35' tall with 3" to 5" thickness. Comes standard with PC Pole Cap. Installation instructions also available on our website [www.techlight.com](http://www.techlight.com).

### 13' Round Straight Pole w/ 2" Welded Ring

Top Hand Hole, Bottom Hand Hole w/ Cover & 8" Base Plate.



### 15' Square Straight Pole w/ 2" Welded Ring

(12' above ground level) fault bar buried below ground level.

