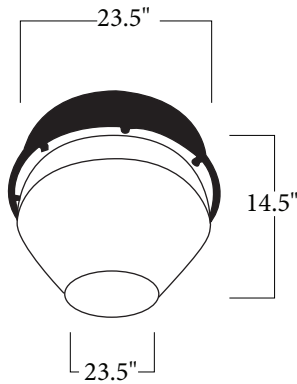
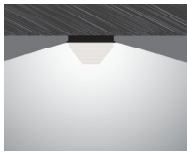


CLR SERIES

Round Canopy



ORDERING INFORMATION

32W PL 41K, 120V	CLR13A1- (A)
42W PL 41K, 120V	CLR12A1- (A)
70W PSMH MT	CLR2A1- (A)
70W HPS MT	CLR2B1- (A)
100W PSMH MT	CLR3A1- (A)
100W HPS MT	CLR3B1- (A)
150W PSMH MT	CLR4A1- (A)
150W HPS MT	CLR4B1- (A)
175W MH MT	CLR5A1- (A)

(A) Finish

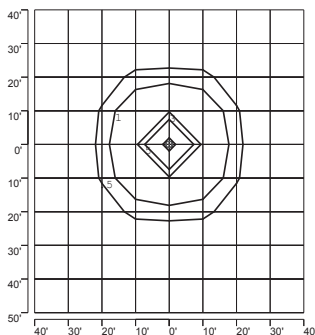
BK - Black
 BZ - Bronze
 USG - US Green
 WH - White
 SP - Special

(See complete nomenclature page for 480V option)

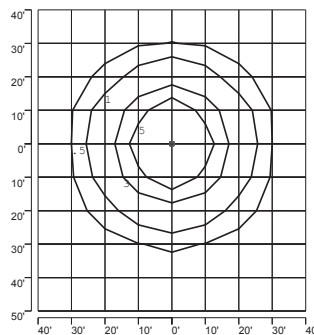
DESIGN

The CLR Canopy light was designed as an easy to install, economical, and long lasting canopy light. The compact size and wide array of available wattages allows this fixture to fit into a multitude of mounting applications. The round refractor provides an evenly distributed light pattern for exceptional coverage.

PHOTOMETRICS



ISOFOOTCANDLE PLOT:
 CLR3A1 100W PSMH CANOPY
 10' AFG - 0 DEGREE TILT



ISOFOOTCANDLE PLOT:
 CLR4A1 150W PSMH CANOPY
 10' AFG - 0 DEGREE TILT

TECHNICAL INFORMATION

Made with a die cast aluminum housing with built in mounting template. A segmented specular aluminum reflector provides 360° illumination. Vandal resistant patterned clear polycarbonate lens. Available with 70W-175W Metal Halide, 70W-150W High Pressure Sodium, and 32W-42W Compact Fluorescent light sources.