

CLS SERIES

Die Cast Canopy



ORDERING INFORMATION

50W PSMH MT	CLS1A1- (A)
50W HPS 120V NPF	CLS1B1- (A)
70W PSMH MT	CLS2A1- (A)
70W HPS 120V NPF	CLS2B3- (A)
70W HPS MT	CLS2B1- (A)
100W PSMH MT	CLS3A1- (A)
100W HPS MT	CLS3B1- (A)
150W PSMH MT	CLS4A1- (A)
150W HPS MT	CLS4B1- (A)
175W MH MT	CLS5A1- (A)

(A) Finish
 BK - Black
 BZ - Bronze
 USG - US Green
 WH - White
 SP - Special
 (See complete nomenclature page for 480V option)

DESIGN

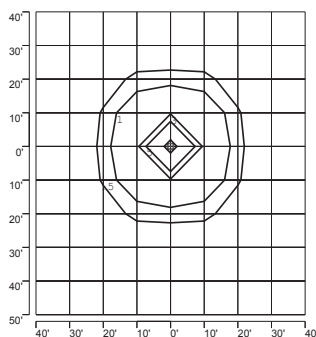
The CLS Canopy light was designed as an easy to install, economical, and long lasting canopy light. The compact size and wide array of available wattages allows this fixture to fit into a multitude of mounting applications.

ACCESSORIES

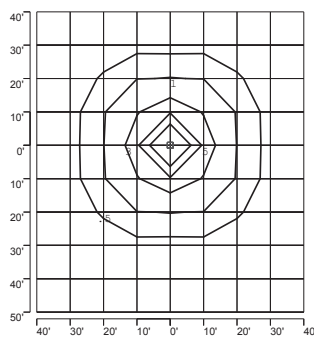


QUICK MOUNT
 HANGING BRACKET
 PCANOPYBRKT

PHOTOMETRICS



ISOFOOTCANDLE PLOT:
 CLS3A1 100W MH CANOPY
 10' AFG - 0 DEGREE TILT



ISOFOOTCANDLE PLOT:
 CLS4A1 150W MH CANOPY
 10' AFG - 0 DEGREE TILT

TECHNICAL INFORMATION

Made with a die cast aluminum housing. A segmented specular aluminum reflector provides 360° illumination. Vandal resistant patterned clear polycarbonate lens. Quick mount plate. Available with 50W-175W Metal Halide and 50W-150W High Pressure Sodium light sources.