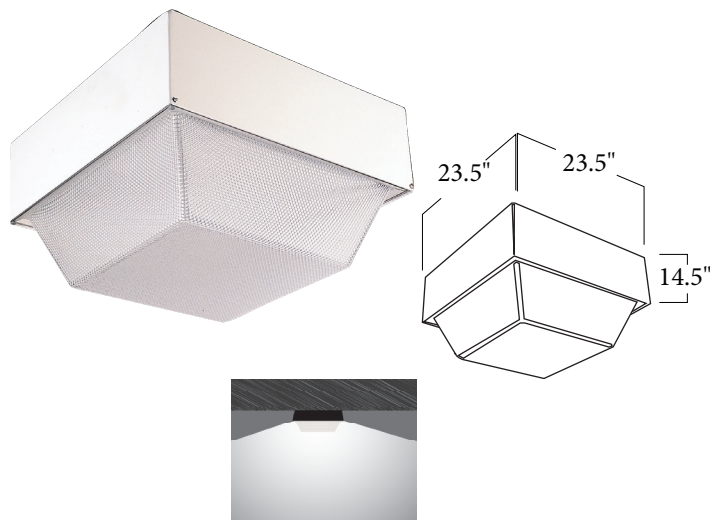


## CLW SERIES

### Extruded Canopy



## ORDERING INFORMATION

150W HPS MT	CLW6A- (A)
175W MH MT	CLW3A- (A)
175W PSMH MT	CLW3A-PS- (A)
250W MH MT	CLW1A- (A)
250W PSMH MT	CLW1A-PS- (A)
250W HPS MT	CLW4A- (A)
320W PSMH MT	CLW7A-PS- (A)
350W PSMH MT	CLW8A-PS- (A)
400W MH MT	CLW2A- (A)
400W PSMH MT	CLW2A-PS- (A)

#### (A) Finish

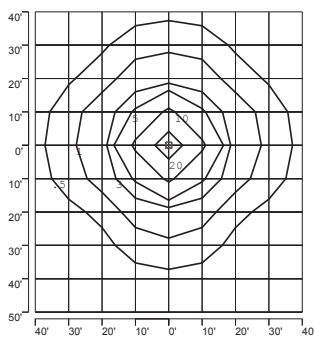
BK - Black  
 BZ - Bronze  
 USG - US Green  
 WH - White  
 SP - Special

(See complete nomenclature page for 480V option)

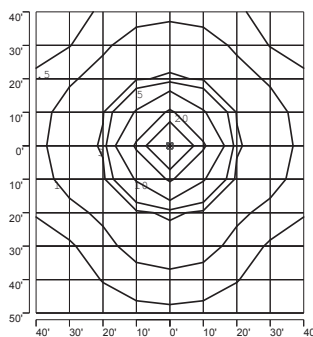
## DESIGN

The CLW Canopy light was designed as an easy to install, economical, and long lasting canopy light. The compact size and range of higher wattages available allows this fixture to fit into a multitude of mounting applications for mid-level height requirements.

## PHOTOMETRICS



ISOFOOTCANDLE PLOT:  
 CLW1A-PS 250W PSMH CANOPY  
 15° AFG - 0 DEGREE TILT



ISOFOOTCANDLE PLOT:  
 CLW2A-PS 400W PSMH CANOPY  
 15° AFG - 0 DEGREE TILT

## TECHNICAL INFORMATION

Made with a formed and welded aluminum housing. A segmented high specular aluminum reflector provides 360° illumination. Vandal resistant patterned clear polycarbonate lens. Available with 175W-400W Metal Halide and 150W-400W High Pressure Sodium light sources.