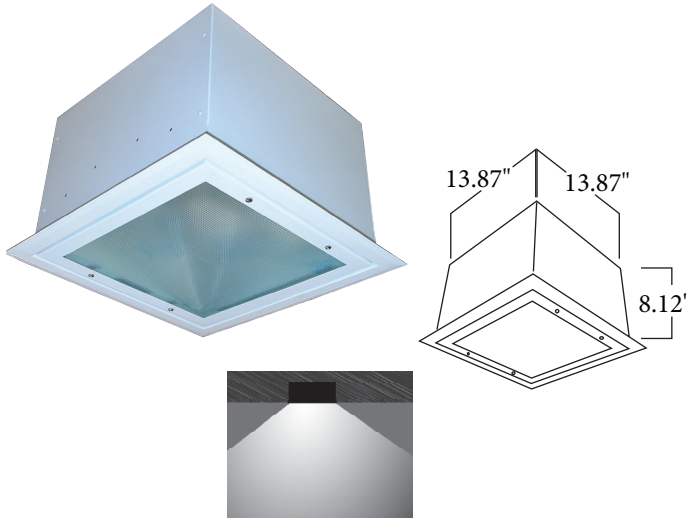


RCLS SERIES

Recessed Canopy Light



ORDERING INFORMATION

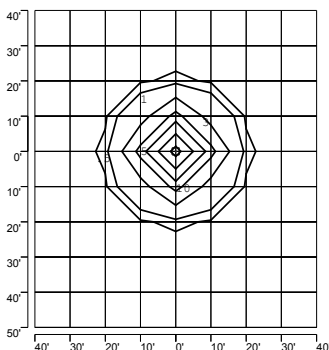
50W PSMH MT	RCLS01- (A)
50W HPS 120V NPF	RCLS08- (A)
70W PSMH MT	RCLS02- (A)
70W HPS MT	RCLS11- (A)
100W PSMH MT	RCLS03- (A)
100W HPS MT	RCLS14- (A)
150W HPS MT	RCLS17- (A)
175W MH MT	RCLS04- (A)
200W PSMH MT	RCLS06- (A)
250W MH MT	RCLS05- (A)
250W PSMH MT	RCLS07- (A)
250W HPS MT	RCLS19- (A)

(A) Finish
 BK - Black
 BZ - Bronze
 USG - US Green
 WH - White
 SP - Special

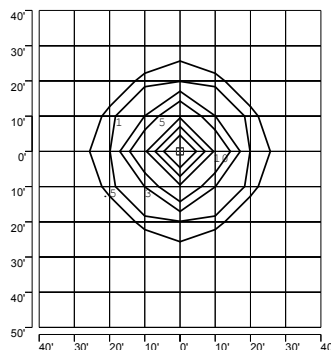
DESIGN

The RCLS Recessed Canopy light was designed for low to mid-level lighting under storefront awnings, indoor retail applications, or any recessed mount lighting application. The finished product is an unobtrusive light fixture where you see the results, and not the fixture itself.

PHOTOMETRICS



ISOFOOTCANDLE PLOT:
RCLS21 150W PSMH RECESSED CANOPY



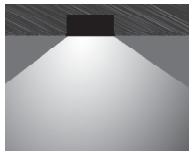
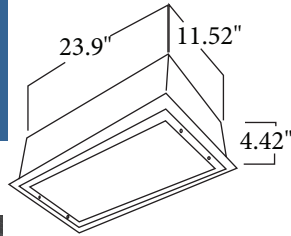
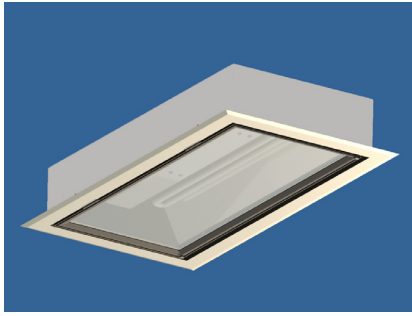
ISOFOOTCANDLE PLOT:
RCLS07 250W PSMH RECESSED CANOPY

1.800.225.0727

WWW.TECHLIGHTUSA.COM

RCLS SERIES

Recessed Fluorescent Canopy Light



DESIGN

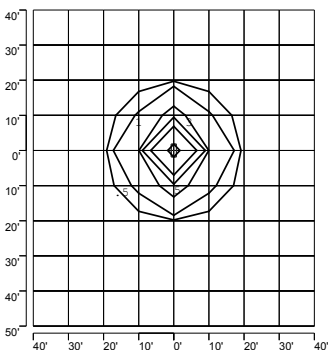
The RCLS Recessed Canopy light was designed for low to mid-level lighting under storefront awnings, indoor retail applications, or any recessed mount lighting application. The fluorescent light source makes this fixture energy efficient and long lasting. The finished product is an unobtrusive light fixture where you see the results, and not the fixture itself.

ACCESSORIES



550 LUMEN, 90
MINUTE EMERGENCY
BALLAST

PHOTOMETRICS



ISOFOOTCANDLE PLOT:
RCLSRF1A DUAL LAMP FLUOR REC CANOPY

ORDERING INFORMATION

2-40W FLUOR BIAx

RCLSRF1A- (A)

(A) Finish

- BK - Black
- BZ - Bronze
- USG - US Green
- WH - White
- SP - Special

TECHNICAL INFORMATION

Made with a heavy galvanized steel housing. A thermal protection unit is included standard. Clear prismatic glass lens. Mounting collar provided for rough-in. Available with 2-40W T12 Fluorescent light source. A trim ring is provided for rough-in. The fixture is finished with a durable polyester powdercoat paint.