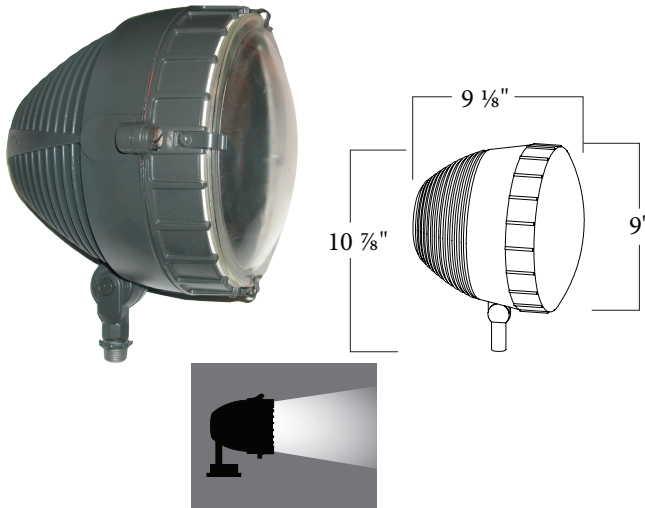


SPECIALTY LIGHTING

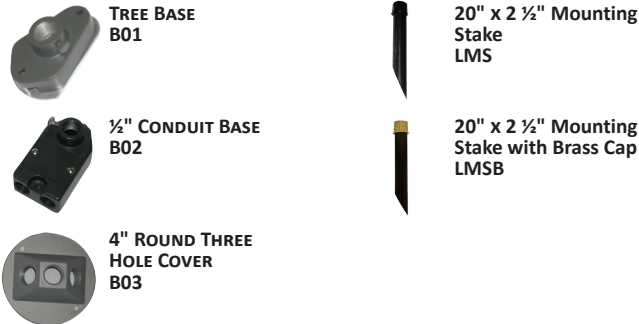
PAR64 Statue



DESIGN

The LSS is a line voltage bullet light that was designed to be used as a statue spot light. With the highest available wattage of Techlight's entire line of statue lighting products, the LSS fixture is the one to go to for any large structure that needs high intensity lighting with optimum control.

ACCESSORIES



ORDERING INFORMATION

Description	Part Number
120W PAR36 LV VNS INC, 75W 12V XFMR	LSS-1-1-1-1-1-(A)
500W PAR36 MF INC	LSS-1-1-1-2-0-(A)
500W PAR36 WF INC	LSS-1-1-1-3-0-(A)

Option Codes

(A) Finish

- BK - Black
- BZ - Bronze
- GR - OD Green
- WH - White
- SP - Special

SHIELDS



TECHNICAL INFORMATION

Constructed of die cast aluminum, it is designed to operate PAR64 line voltage lamps. Light sources available up to 500W PAR64 Incandescent lamps. The fixture is finished with a durable polyester powdercoat paint.