



Catalog Number		VBLAD _ _ _ - _ - _
Notes	Type	TYPE V

Features & Specifications

Applications

The Polaris series luminaires are designed as a superior lighting solution for parking areas, streets, walkways and car lots.

Construction

The fixture housing is constructed of durable formed aluminum, the very definition of quality. All seams are expertly welded and sealed so that no live parts are left vulnerable to the harshest of environments. Luminaires are provided with easy entry top-cap for ballast maintenance. The door frame is fabricated from a single piece of sheet aluminum. The lens is sealed in place and a door gasket is provided for weather-tight protection.

Finish

A Super Durable Polyester powder coat finish backed by a one year finish warranty. Standard colors available: Bronze, Black, White. Custom colors also available.

Optical System

Techlight provides a Standard Faceted Reflector that uses components to spread the light in the most efficient manner. The glass lens is clear, and tempered with a minimum thickness of .125".

Ballast

Each high efficiency, durable ballast is pre-wired and installed for your convenience. Ballasts are available in a range of wattages to suit each need.

Listing

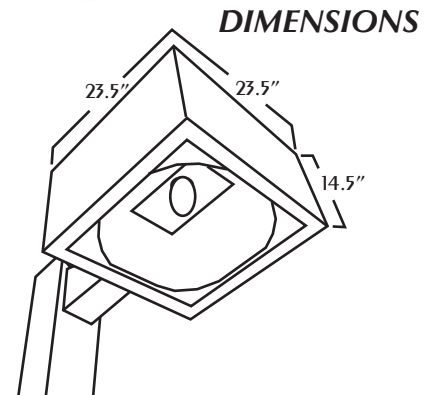
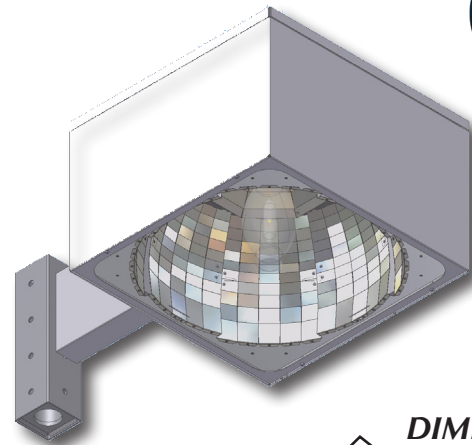
ETL listed suitable for wet locations.

Warranty

One year warranty on the fixture and finish, one year on the ballast and lamps.

POLARIS SERIES LARGE VERTICAL BURN

STANDARD FULL CUTOFF OPTICAL SYSTEM
PARKING LUMINAIRE



EPA RATINGS

23.5" Housing - Straight Arm EPA: 4.5 (with Arm) 55lbs
23.5" Housing - Yoke Mounted EPA: 4.6 (with Yoke) 90lbs

Please contact your Techlight Sales Representative for more information.

Accessories (Fixture comes with Arm-Must be Noted at Time of Order)

VSARTP	Arm Mount for Round Pole	PTAVSA	Pole Top Tennon Adaptor for Square Pole
VSA	Arm Mount for Square Pole	PTAVSAR	Pole Top Tennon Adaptor for Round Pole

ORDERING NOMENCLATURE

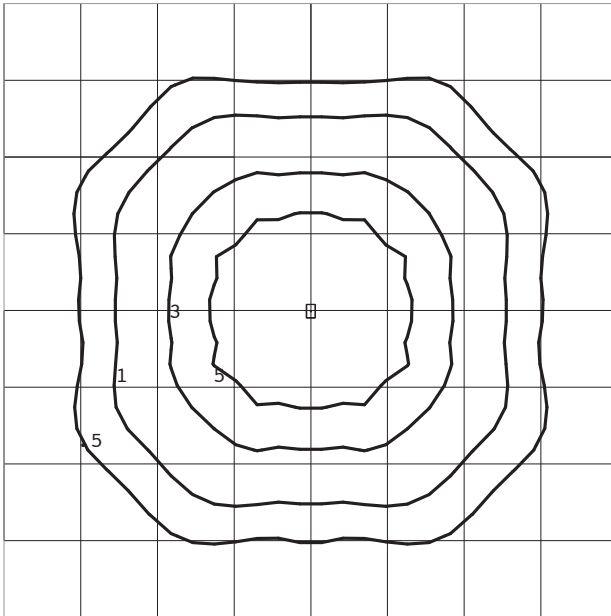
(EXAMPLE: LARGE VERTICAL BURN WITH ARM, TYPE V (STANDARD), 1000W MH, MULTI-TAP, FLAT LENS, BRONZE) = VBLAD1BA2-BZ

VBL	A	D	1	BA	2	-BZ	-PS
Series	Arm	Reflector	Lamp/Ballast	Voltage	Lens	Color	Pule Start
VBL = Vertical Burn Large Box	A = Arm Y = Yoke	D = Type V	1 = 1000MH 3 = 400MH 6 = 750MH	BA = MT BB = 480	2 = Flat	BZ = Bronze BK = Black WT = White SP = Special	PS Only if Pulse Start Lamp

* IDA approved only when using Flat Lens.



1000W



VBLAD1B_2
1000W MH TYPE 5 VERT BURN LARGE FLAT LENS
110000 LUMENS
SCALE = 25'
MTG = 30' AFG