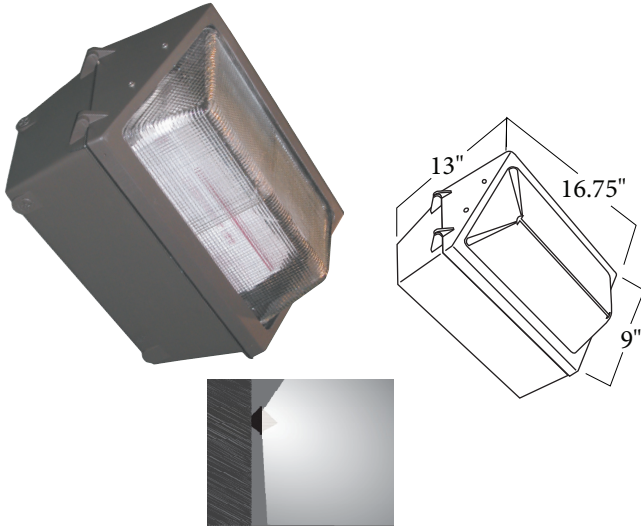


LWP SERIES

Large Wall Pack



OPTICS

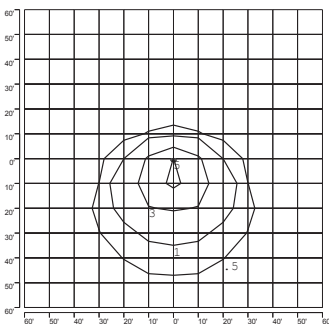
The LWP Large Wall Pack was designed as a general area and security light for applications needing the durability of cast aluminum and glass construction. Ideal for higher mounting heights ranging from 18' to 25'. A variety of accessories are available for custom applications.

ACCESSORIES

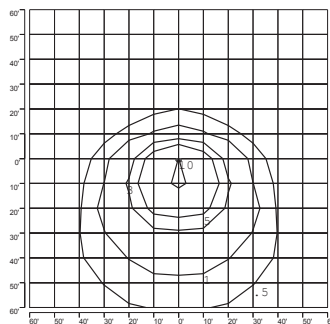


**BUTTON-TYPE
PHOTOCELL
P1000PC**

PHOTOMETRICS



ISOFOOTCANDLE PLOT:
LWPB2A-PS-250W PSMH WALL PACK
20' AFG - 0 DEGREE TILT



ISOFOOTCANDLE PLOT:
LWPB4A-PS-400W PSMH WALL PACK
20' AFG - 0 DEGREE TILT

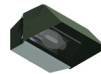
ORDERING INFORMATION

200W PSMH MT	LWPB7A-PS- (A)
250W MH MT	LWPB2A- (A)
250W PSMH MT	LWPB2A-PS- (A)
250W HPS MT	LWPB1A- (A)
320W PSMH MT	LWPB6A-PS- (A)
350W PSMH MT	LWPB5A-PS- (A)
400W MH MT	LWPB4A- (A)
400W PSMH MT	LWPB4A-PS- (A)
400W HPS MT	LWPB3A- (A)

(A) Finish

- BK - Black
 - BZ - Bronze
 - USG - US Green
 - WH - White
 - SP - Special
- (See complete nomenclature page for 480V option)

SHIELDS



**LARGE CUTOFF SHIELD
S46**



**LARGE POLYCARBONATE
GUARD
PDC200PG**



**LARGE WIRE GUARD
PDC200WG**

TECHNICAL INFORMATION

Constructed with a die cast aluminum housing and borosilicate glass refractor. 1/2" threaded NPT knockouts provided. Available with up to 400W Metal Halide and 400W High Pressure Sodium light sources. The fixture is finished with a durable polyester powdercoat paint.