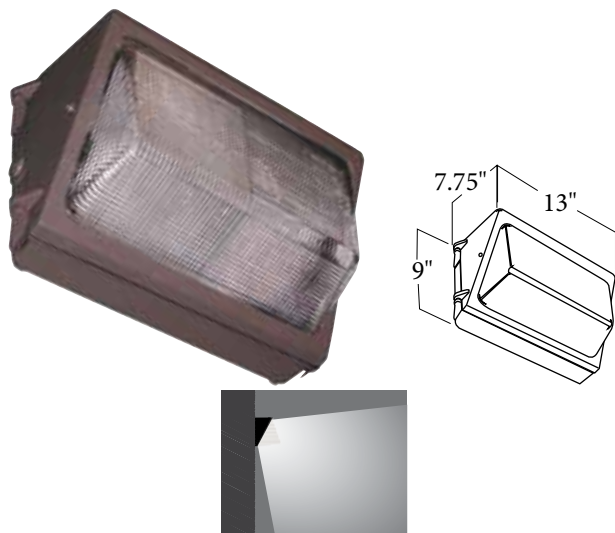


MWP SERIES

Medium Wall Pack



OPTICS

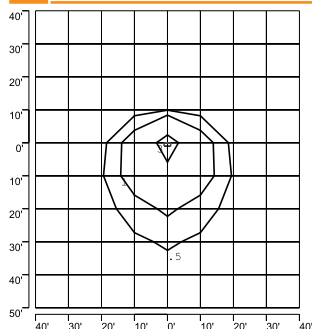
The MWP Medium Wall Pack was designed as a general area and security light for applications needing the durability of cast aluminum and glass construction. Ideal for medium mounting heights ranging from 12' to 18'. A variety of accessories are available for custom applications.

ACCESSORIES

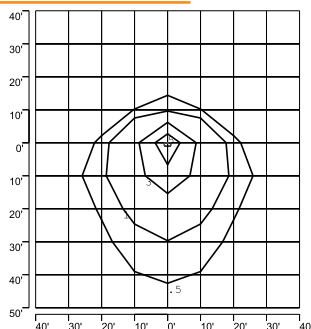


**BUTTON-TYPE
PHOTOCELL
P1000PC**

PHOTOMETRICS



ISOFOOTCANDLE PLOT:
MWPB2A-100W MH WALL PACK
15' AFG - 0 DEGREE TILT



ISOFOOTCANDLE PLOT:
MWPB9A-150W PSMH WALL PACK
15' AFG - 0 DEGREE TILT

ORDERING INFORMATION

Description	Part Number
70W PSMH MT	MWPB1A- (A)
70W HPS MT	MWPB4A- (A)
100W PSMH MT	MWPB2A- (A)
100W HPS MT	MWPB5A- (A)
150W PSMH MT	MWPB9A- (A)
150W HPS MT	MWPB6A- (A)
175W MH MT	MWPB3A- (A)
175W PSMH MT	MWPB3A-PS- (A)

Option Codes

(A) Finish
 BK - Black
 BZ - Bronze
 USG- US Green
 WH - White
 SP - Special

(See complete nomenclature page for 480V option)

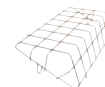
SHIELDS



**MEDIUM CUTOFF
SHIELD
S45**



**MEDIUM
POLYCARBONATE
GUARD
PDC150PG**



**MEDIUM WIRE
GUARD
PDC150WG**

TECHNICAL INFORMATION

Constructed with a die cast aluminum housing and borosilicate glass refractor. 1/2" threaded NPT knockouts provided. Available with up to 175W Metal Halide and 150W High Pressure Sodium light sources. The fixture is finished with a durable polyester powdercoat paint.