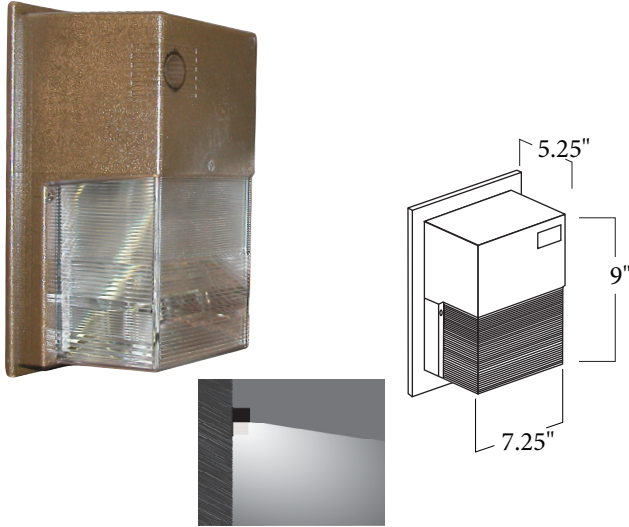


PWP SERIES

Mini Wall Pack



ORDERING INFORMATION

35W HPS 120V NPF	PWPB1A- (A)
50W PSMH MT	PWPB4A- (A)
50W HPS 120V NPF	PWPB2A- (A)
70W HPS 120V NPF	PWPB3A- (A)

- (A) Finish**
- BK - Black
 - BZ - Bronze
 - USG - US Green
 - WH - White
 - SP - Special

OPTICS

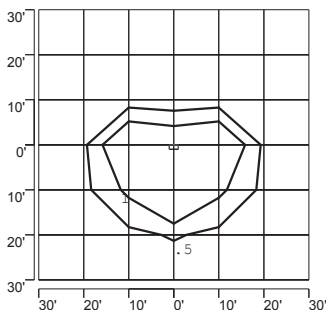
The PWP Mini Wall Pack combines simple and functional lighting in a compact, energy efficient luminaire. Made for general illumination at a mounting height ranging from 6' to 12', it is the perfect replacement for inefficient incandescent fixtures.

ACCESSORIES

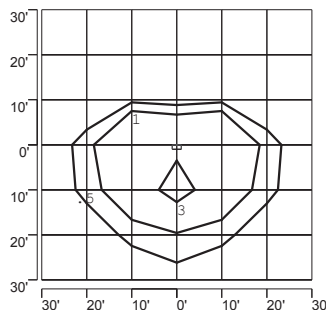


**BUTTON-TYPE
PHOTOCELL
P1000PC**

PHOTOMETRICS



ISOFOOTCANDLE PLOT:
PWPB2A-50W HPS WALL PACK
8' AFG - 0 DEGREE TILT



ISOFOOTCANDLE PLOT:
PWPB3A-70W HPS WALL PACK
8' AFG - 0 DEGREE TILT

TECHNICAL INFORMATION

Constructed with a die cast back plate and a vandal resistant polycarbonate housing and lens assembly. Available with up to 50W Metal Halide and 70W High Pressure Sodium light sources. The fixture is finished with a durable polyester powdercoat paint.