

RWP SERIES

Round Wall Pack



ORDERING INFORMATION

42W FLUOR 120V OPEN FRAME	RWP-19-1-(A)-0-1-0
42W FLUOR 120V GRILL FRAME	RWP-19-1-(A)-1-1-0
42W FLUOR 120V CUTOFF FRAME	RWP-19-1-(A)-2-1-0
50W PSMH MT OPEN FRAME	RWP-18-1-(A)-0-1-0
50W PSMH MT GRILL FRAME	RWP-18-1-(A)-1-1-0
50W PSMH MT CUTOFF FRAME	RWP-18-1-(A)-2-1-0
70W PSMH MT OPEN FRAME	RWP-1-1-(A)-0-1-0
70W PSMH MT GRILL FRAME	RWP-1-1-(A)-1-1-0
70W PSMH MT CUTOFF FRAME	RWP-1-1-(A)-2-1-0
100W PSMH MT OPEN FRAME	RWP-2-1-(A)-0-1-0
100W PSMH MT GRILL FRAME	RWP-2-1-(A)-1-1-0
100W PSMH MT CUTOFF FRAME	RWP-2-1-(A)-2-1-0
150W PSMH MT OPEN FRAME	RWP-17-1-(A)-0-1-0
150W PSMH MT GRILL FRAME	RWP-17-1-(A)-1-1-0
150W PSMH MT CUTOFF FRAME	RWP-17-1-(A)-2-1-0

(A) Finish

- 1 - Black
- 2 - White
- 3 - Special
- 4 - Bronze

(See complete nomenclature page for 480V option)

OPTICS

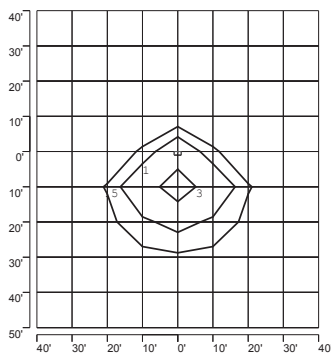
The RWP Round Wall Pack Series is a combination of form and function. The pleasing design incorporates a variety of lenses frame trims for custom applications. The fixture can be surface mounted or recessed.

ACCESSORIES

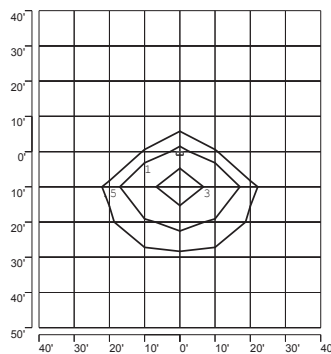


TRIM RING FOR RECESSED MOUNTING WPR40TR

PHOTOMETRICS



ISOFOOTCANDLE PLOT:
RWPB2A-TOP CUTOFF CLR ROUND WALL PACK



ISOFOOTCANDLE PLOT:
RWPB2A-OPEN CLR ROUND WALL PACK

TECHNICAL INFORMATION

Constructed of a die cast aluminum surface mount housing. Built in template for mounting to electrical box. Available with either frosted or clear borosilicate glass lens. Available with up to 150W Metal Halide and 42W High Fluorescent light sources. The fixture is finished with a durable polyester powdercoat paint.