

HDV SERIES

High Definition Vertical Burn



OPTICS

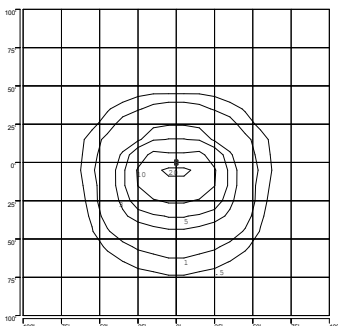
The HDV High Definition Vertical Burn Luminaire is designed to produce a brilliant and consistent light pattern. Using the highest quality optical materials, this fixture produces unmatched color rendition and light output to meet the exacting standards of the auto retail industry.

ACCESSORIES

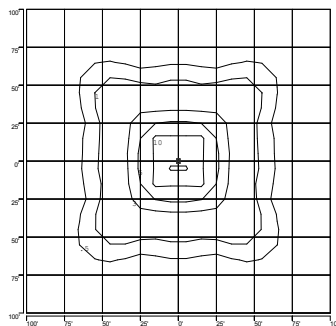


STRAIGHT ARM
VSA-S¹ (3")
VSA (12")

PHOTOMETRICS



ISOFOOTCANDLE PLOT:
HDV-41-775-775-1-775W PSMH AUTO FT
775W NATURAL WHITE



ISOFOOTCANDLE PLOT:
HDV-53-775-775-1-775W PSMH AUTO FT
775W NATURAL WHITE

1.800.225.0727

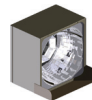
WWW.TEHLIGHTUSA.COM

ORDERING INFORMATION

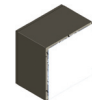
750W PSMH MT TYPE IV	HDV-40-750-(A)-750-1-(B)
750W PSMH MT TYPE IV PMTR	HDV-41-750-(A)-750-1-(B)
750W PSMH MT TYPE IV DUAL	HDV-42-750-(A)-750-1-(B)
750W PSMH MT TYPE V	HDV-53-750-(A)-750-1-(B)
750W PSMH MT TYPE V DUAL	HDV-54-750-(A)-750-1-(B)
775W PSMH MT TYPE IV	HDV-40-775-(A)-775-1-(B)
775W PSMH MT TYPE IV PMTR	HDV-41-775-(A)-775-1-(B)
775W PSMH MT TYPE IV DUAL	HDV-42-775-(A)-775-1-(B)
775W PSMH MT TYPE V	HDV-53-775-(A)-775-1-(B)
775W PSMH MT TYPE V DUAL	HDV-54-775-(A)-775-1-(B)
1000W PSMH MT TYPE IV	HDV-40-902-(A)-902-1-(B)
1000W PSMH MT TYPE IV PMTR	HDV-41-902-(A)-902-1-(B)
1000W PSMH MT TYPE IV DUAL	HDV-42-902-(A)-902-1-(B)
1000W PSMH MT TYPE V	HDV-53-902-(A)-902-1-(B)
1000W PSMH MT TYPE V DUAL	HDV-54-902-(A)-902-1-(B)

(A) Voltage	(B) Finish
120 - 120 Volt	1 - Black
208 - 208 Volt	2 - Bronze
240 - 240 Volt	3 - US Green
277 - 277 Volt	4 - White
(See complete nomenclature page for 480V option)	5 - Special

SHIELDS



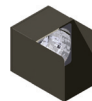
LARGE BACK SIDE SHIELD
S84



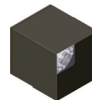
LARGE VANDAL SHIELD
S117



LARGE 2 SIDED FRONT SIDE SHIELD
S115²



LARGE 3 SIDED FRONT SIDE SHIELD
S127



LARGE 4 SIDED SHIELD
S133

TECHNICAL INFORMATION

Constructed from a durable formed aluminum housing with a high reflectance faceted reflector and premium tempered glass lens. Comes standard with a 4KV pulse rated mogul base socket. Standard mounting options include 2", 8" and 10.75" straight arms. Additional mounting options are available in the accessories section. The fixture is finished with a durable polyester powdercoat paint.

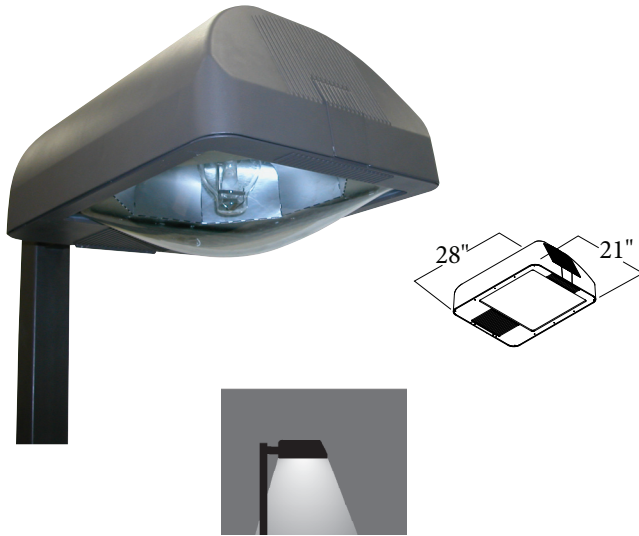
EPA RATINGS

23.5" Housing 0° Tilt EPA: 3.9

Notes: 1-VSA-S Arm cannot be used when pole mounting fixtures at 90° increments. 2-S115 Shield must be specified as a left or right sided shield from the mounting side point of view.

HDE SERIES

High Definition Enterprise



OPTICS

The HDE High Definition Enterprise is designed to produce a brilliant and consistent light pattern. Using the highest quality optical materials, this fixture produces unmatched color rendition and light output to meet the exacting standards of the auto retail industry. The modern design and sleek curves lends an additional dimension of aesthetic quality.

ACCESSORIES

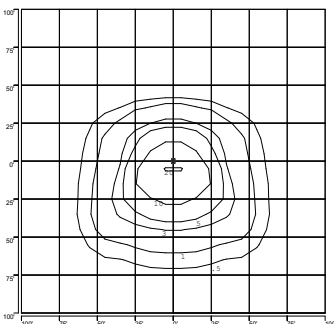


**STRAIGHT ARM
VSAENT (12")**

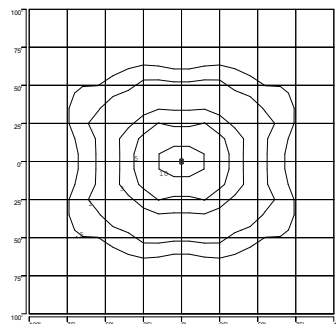


**STRAIGHT ARM FOR
ROUND POLE
VSARTPENT (12")**

PHOTOMETRICS



ISOFOOTCANDLE PLOT:
HDE-44-775-775-1-775W PSMH AUTO FT
775W NATURAL WHITE



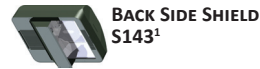
ISOFOOTCANDLE PLOT:
HDE-50-775-775-1-775W PSMH AUTO T5
775W NATURAL WHITE

ORDERING INFORMATION

750W PSMH MT TYPE IV	HDE-43-750-(A)-750-1-(B)
750W PSMH MT TYPE IV PMTR	HDE-44-750-(A)-750-1-(B)
750W PSMH MT TYPE V	HDE-50-750-(A)-750-1-(B)
775W PSMH MT TYPE IV	HDE-43-775-(A)-775-1-(B)
775W PSMH MT TYPE IV PMTR	HDE-44-775-(A)-775-1-(B)
775W PSMH MT TYPE V	HDE-50-775-(A)-775-1-(B)
1000W PSMH MT TYPE IV	HDE-43-902-(A)-902-1-(B)
1000W PSMH MT TYPE IV PMTR	HDE-44-902-(A)-902-1-(B)
1000W PSMH MT TYPE V	HDE-50-902-(A)-902-1-(B)

(A) Voltage	(B) Finish
120 - 120 Volt	1 - Black
208 - 208 Volt	2 - Bronze
240 - 240 Volt	3 - US Green
277 - 277 Volt	4 - White
(See complete nomenclature page for 480V option)	5 - Special

SHIELDS



**BACK SIDE SHIELD
S143¹**

TECHNICAL INFORMATION

Constructed from an architecturally shaped die cast aluminum housing with a high reflectance faceted reflector and premium tempered glass lens. Comes standard with a 4KV pulse rated mogul base socket. Standard mounting options include 3" and 12" straight arms. Additional mounting options are available in the accessories section. The fixture is finished with a durable polyester powdercoat paint.

EPA RATINGS

28" Housing 0° Tilt EPA: 2.0

Notes: 1-S143 Shield cannot be used with a sag lens.