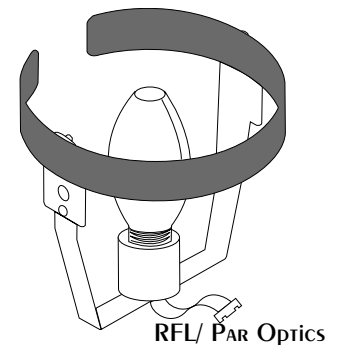
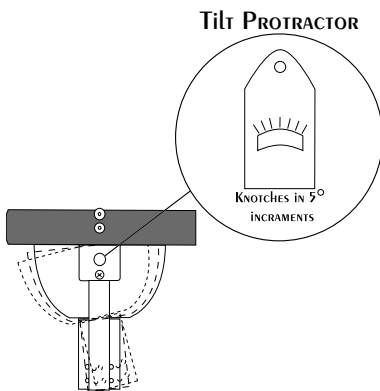
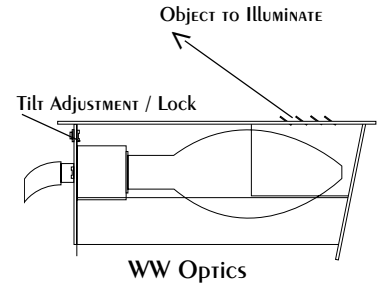
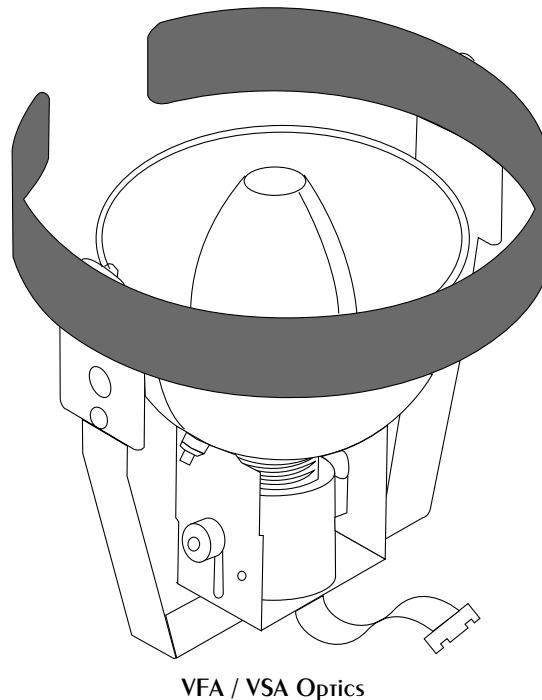
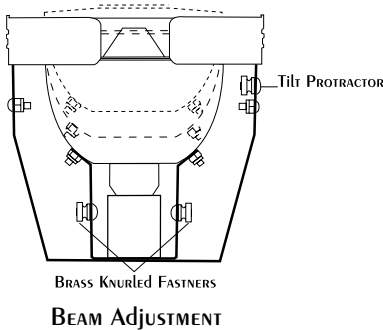


TDB3/4W REFLECTOR ASSEMBLY INSTRUCTIONS

INSTALLATION:

1. PROPER INSTALLATION OF FIELD WIRING AND BALLAST ASSEMBLY MUST BE DONE PRIOR TO REFLECTOR ASSEMBLY INSTALLATION.
2. MAKE ANY TILT AND BEAM ADJUSTMENTS TO THE REFLECTOR ASSEMBLY AS SHOWN BELOW.
3. CONNECT THE THREE-POSITION PLUG OF THE REFLECTOR TO THE CORRESPONDING THREE-POSITION RECEPTACLE ON THE BALLAST PLATE AND PLACE THE ASSEMBLY INTO THE HOUSING



BEAM SPREAD ADJUSTMENTS:

- * RFL/PAR Optics ARE NOT ADJUSTABLE (BEAM SPREAD WILL DEPEND ON THE LAMP).
- * WW Optics ARE NOT ADJUSTABLE (STRAIGHT WALL WASH REFLECTOR).
- * VFA & VSA Optics (SEE BELOW)
 1. LOOSEN THE TWO BRASS KNURLED FASTENERS LOCATED ON EITHER SIDE OF THE LAMP SOCKET AT THE BOTTOM OF THE REFLECTOR ASSEMBLY.
 2. MOVE THE REFLECTOR UP OR DOWN FROM THE PRESENT MIDDLE POSITION UNTIL THE DESIRED LIGHT PATTERN IS ACHIEVED. **NOTE: Pulling the reflector up generally narrows the beam and pushing it down widens the beam.**
 3. ONCE DESIRED BEAM IS ACHIEVED, RETIGHTEN THE KNURLED FASTENERS TO LOCK REFLECTOR ASSEMBLY.

TILT ADJUSTMENT:

- * VFA, VSA, & RFL/PAR Optics (SEE BELOW)
 1. LOOSEN THE KNURLED FASTENERS LOCATED NEAR THE TOP OF THE REFLECTOR ASSEMBLY.
 2. THE YOKE MAY BE EASILY ROTATED AWAY FROM THE PRESENT VERTICAL POSITION. **NOTE: The reflector yoke bracket is calibrated in 5-degree increments.**
 3. ONCE DESIRED BEAM IS ACHIEVED, RETIGHTEN THE KNURLED FASTENERS TO THE YOKE ASSEMBLY.

*WW Optics

1. ORIENT THE WALL WASH REFLECTOR IN THE DESIRED DIRECTION (socket side TOWARDS THE DESIRED DIRECTION).
2. TILT ADJUSTMENTS CAN BE MADE BY LOOSENING THE SCREW AND LOCK NUT AT THE END OF THE ASSEMBLY TO LOWER THE REFLECTOR (5-degree increments).
3. ONCE DESIRED TILT POSITION IS ACHIEVED, RETIGHTEN THE SCREW AND LOCK NUT TO LOCK REFLECTOR ASSEMBLY.