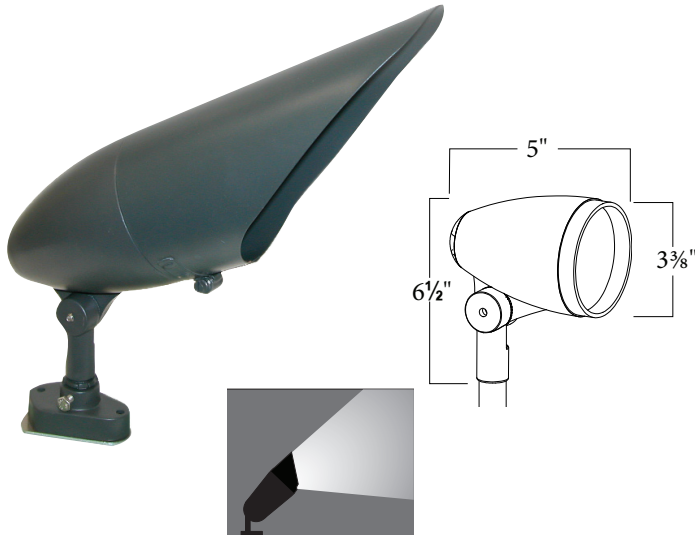


R-SERIES

Small Aluminum Bullet



DESIGN

The R2AG Bullet Light was designed to set the industry standard for landscape bullets. Their sturdy construction and sleek design make them suitable for a myriad of landscape applications. A multitude of lens/shield combinations makes this series of bullets the most versatile in the industry.

ACCESSORIES



ORDERING INFORMATION

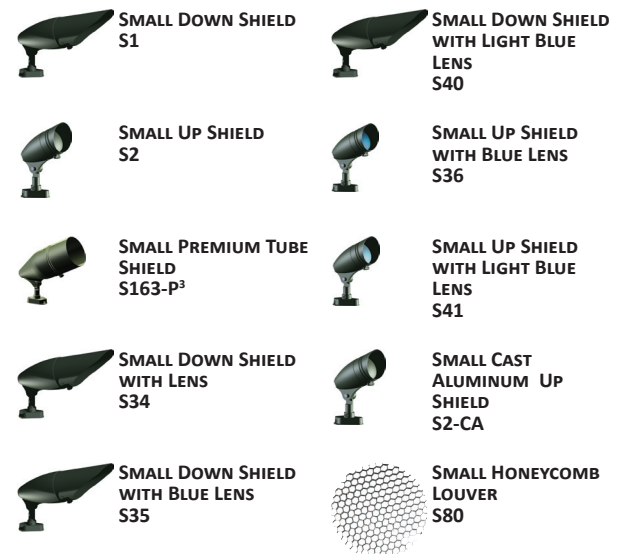
Description	Part Number
35W MH PAR20 NFL, DOWN SHIELD	R2AG-1-1-15-13-(A) ¹
35W MH PAR20 NFL, UP SHIELD	R2AG-2-1-15-13-(A) ¹
35W MH PAR20 SP, DOWN SHIELD	R2AG-1-1-16-13-(A) ¹
35W MH PAR20 SP, UP SHIELD	R2AG-2-1-16-13-(A) ¹
50W MV R20, DOWN SHIELD	R2AG-1-1-1-15-(A) ²
50W MV R20, UP SHIELD	R2AG-2-1-1-15-(A) ²
50W QUARTZ NFL, DOWN SHIELD	R2AG-1-1-17-0-(A)
50W QUARTZ NFL, UP SHIELD	R2AG-2-1-17-0-(A)
50W QUARTZ NSP, DOWN SHIELD	R2AG-1-1-18-0-(A)
50W QUARTZ NSP, UP SHIELD	R2AG-2-1-18-0-(A)

Option Codes

(A) Finish

- 1 - OD Green
- 2 - White
- 3 - Bronze
- 4 - Black
- 5 - Special

SHIELDS



TECHNICAL INFORMATION

Constructed of die cast aluminum, it comes standard with a 1/2" threaded knuckle mount and 4kV 660W/600V pulse rated medium base socket. Light sources are available in 50W Mercury Vapor, 35W Metal Halide, or 50W Incandescent. The fixture is finished with a durable polyester powdercoat paint.

Notes: 1-Fixture must be mounted within 10' of ballast enclosure.
2-Fixture may be provided with a Metal Halide ballast designed to operate a Mercury Vapor lamp. 3-Premium Shields are designed to allow debris to wash free in an up light position.