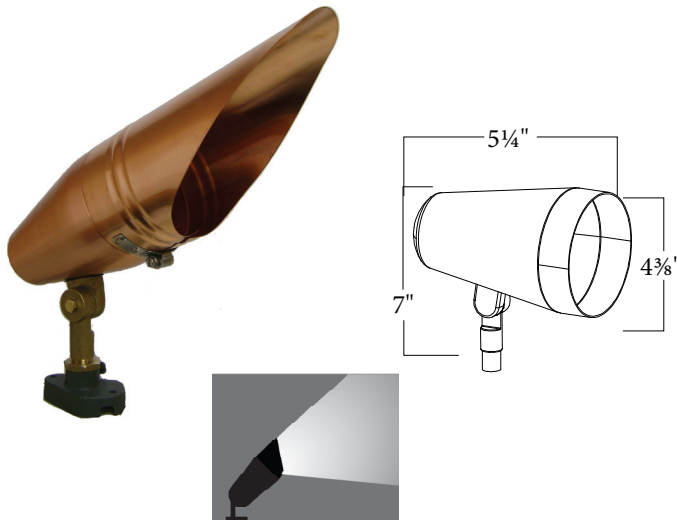


R-SERIES

Medium Copper Bullet



DESIGN

The R3LWC Bullet Light was designed to set the industry standard for copper landscape bullets. Their sturdy copper construction allows them to be used in harsh environments. The various finishes available allow this fixture to blend seamlessly into the aesthetics of any landscape design.

ACCESSORIES



ORDERING INFORMATION

35W MH PAR30 FL, DOWN SHIELD	R3LWC-1-2-6-19- (A) ¹
35W MH PAR30 FL, UP SHIELD	R3LWC-2-2-6-19- (A) ¹
70W MH PAR30 FL, DOWN SHIELD	R3LWC-1-2-8-?- (A)
70W MH PAR30 FL, UP SHIELD	R3LWC-2-2-8-?- (A)
75W QUARTZ FL, DOWN SHIELD	R3LWC-1-2-10-0- (A)
75W QUARTZ FL, UP SHIELD	R3LWC-2-2-10-0- (A)
75W QUARTZ SP, DOWN SHIELD	R3LWC-1-2-12-0- (A)
75W QUARTZ SP, UP SHIELD	R3LWC-2-2-12-0- (A)
100W MV R30, DOWN SHIELD	R3LWC-1-2-2-4- (A) ²
100W MV R30, UP SHIELD	R3LWC-2-2-2-4- (A) ²

(A) Finish

1 - Natural	5 - Black
2 - Copper	6 - Bronze
3 - Brown	7 - OD Green
4 - Patina	8 - White
5 - Flemish	9 - Special
6 - Patina	
7 - Gray	
8 - Patina	

SHIELDS



TECHNICAL INFORMATION

Constructed of spun copper, it comes standard with a 1/2" threaded knuckle mount and 4KV pulse rated medium base socket. Light sources are available in 50W-100W Mercury Vapor, 35W-70W Metal Halide, or 75W Incandescent. The fixture can be finished with a durable polyester powdercoat paint, left unfinished to patina naturally, or provided with a factory applied patina finish.

Notes: 1-Fixture must be mounted within 10' of ballast enclosure.
2-Fixture may be provided with a Metal Halide ballast designed to operate a Mercury Vapor lamp.