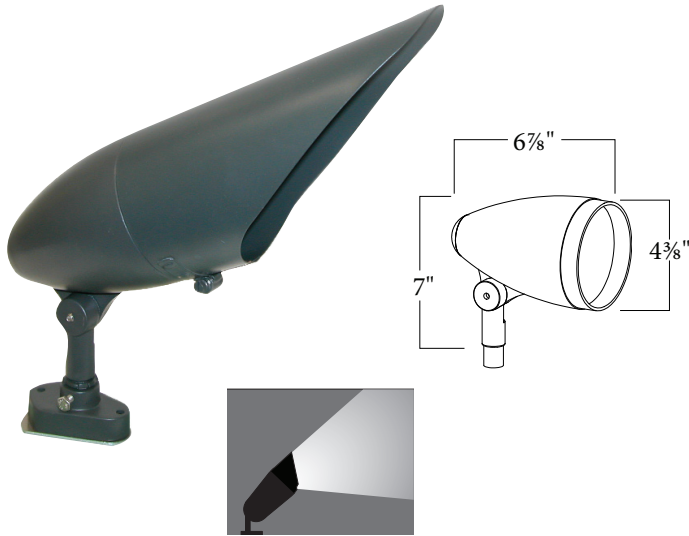


R-SERIES

Medium Aluminum Bullet



DESIGN

The R3AG Bullet Light was designed to set the industry standard for landscape bullets. Their sturdy construction and sleek design make them suitable for a myriad of landscape applications. A multitude of lens/shield combinations makes this series of bullets the most versatile in the industry.

ACCESSORIES



ORDERING INFORMATION

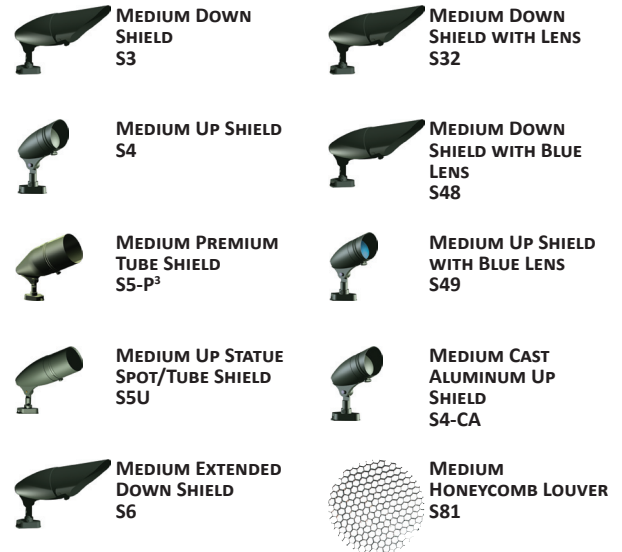
Description	Part Number
35W MH PAR30 FL, DOWN SHIELD	R3AG-1-1-14-15- (A) ¹
35W MH PAR30 FL, UP SHIELD	R3AG-2-1-14-15- (A) ¹
70W MH PAR30 FL, DOWN SHIELD	R3AG-1-1-8-18- (A)
70W MH PAR30 FL, UP SHIELD	R3AG-2-1-8-18- (A)
75W QUARTZ FL, DOWN SHIELD	R3AG-1-1-18-0- (A)
75W QUARTZ FL, UP SHIELD	R3AG-2-1-18-0- (A)
75W QUARTZ SP, DOWN SHIELD	R3AG-1-1-19-0- (A)
75W QUARTZ SP, UP SHIELD	R3AG-2-1-19-0- (A)
100W MV R30, DOWN SHIELD	R3AG-1-1-2-5- (A) ²
100W MV R30, UP SHIELD	R3AG-2-1-2-5- (A) ²

Option Codes

(A) Finish

- 1 - OD Green
- 2 - White
- 3 - Bronze
- 4 - Black
- 5 - Special

SHIELDS



TECHNICAL INFORMATION

Constructed of die cast aluminum, it comes standard with a 1/2" threaded knuckle mount and 4kV 660W/600V pulse rated medium base socket. Light sources are available in 50W-100W Mercury Vapor, 35W-70W Metal Halide, or 75W Incandescent. The fixture is finished with a durable polyester powdercoat paint.

Notes: 1-Fixture must be mounted within 10' of ballast enclosure.
2-Fixture may be provided with a Metal Halide ballast designed to operate a Mercury Vapor lamp. 3-Premium Shields are designed to allow debris to wash free in an up light position.