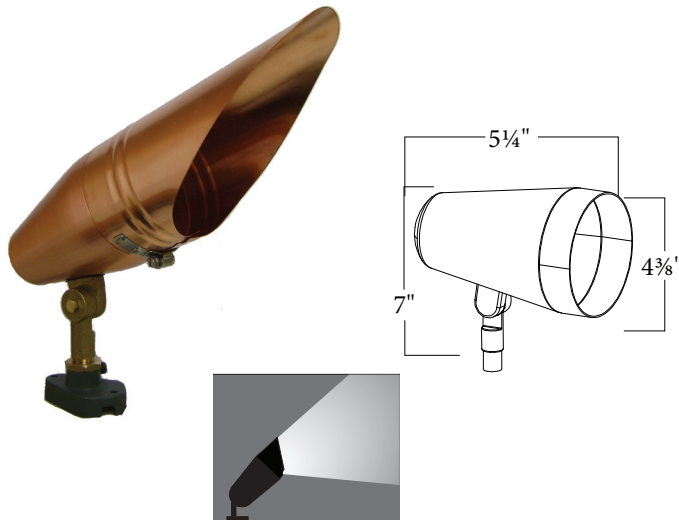


## R-SERIES

### Medium Copper Bullet



## DESIGN

The R3LWC Bullet Light was designed to set the industry standard for copper landscape bullets. Their sturdy copper construction allows them to be used in harsh environments. The various finishes available allow this fixture to blend seamlessly into the aesthetics of any landscape design.

## ACCESSORIES



BRASS TREE BASE  
B06



1/2" CONDUIT BASE  
B02



1/2" Hub with Ground  
Wire  
B10



20" x 2 1/2" Mounting  
Stake  
LMS



20" x 2 1/2" Mounting  
Stake with Brass Cap  
LMSB



BRASS JUNCTION BOX  
TLSBBJB

## ORDERING INFORMATION

Description	Part Number
35W MH PAR30 FL, DOWN SHIELD	R3LWC-1-2-6-19-(A) <sup>1</sup>
35W MH PAR30 FL, UP SHIELD	R3LWC-2-2-6-19-(A) <sup>1</sup>
70W MH PAR30 FL, DOWN SHIELD	R3LWC-1-2-8-?- (A)
70W MH PAR30 FL, UP SHIELD	R3LWC-2-2-8-?- (A)
75W QUARTZ FL, DOWN SHIELD	R3LWC-1-2-10-0-(A)
75W QUARTZ FL, UP SHIELD	R3LWC-2-2-10-0-(A)
75W QUARTZ SP, DOWN SHIELD	R3LWC-1-2-12-0-(A)
75W QUARTZ SP, UP SHIELD	R3LWC-2-2-12-0-(A)
100W MV R30, DOWN SHIELD	R3LWC-1-2-2-4-(A) <sup>2</sup>
100W MV R30, UP SHIELD	R3LWC-2-2-2-4-(A) <sup>2</sup>

### Option Codes

#### (A) Finish

1 - Natural	5 - Black
2 - Brown	6 - Bronze
3 - Flemish Patina	7 - OD Green
4 - Gray Patina	8 - White
	9 - Special

## SHIELDS



MEDIUM COPPER  
DOWN SHIELD  
S24



MEDIUM COPPER UP  
SHIELD  
S25



MEDIUM COPPER  
DOWN SHIELD WITH  
LENS  
S58



MEDIUM HONEYCOMB  
LOUVER  
S81

## TECHNICAL INFORMATION

Constructed of spun copper, it comes standard with a 1/2" threaded knuckle mount and 4kV 660W/600V pulse rated medium base socket. Light sources are available in 50W-100W Mercury Vapor, 35W-70W Metal Halide, or 75W Incandescent. The fixture can be finished with a durable polyester powdercoat paint, left unfinished to patina naturally, or provided with a factory applied patina finish.

Notes: 1-Fixture must be mounted within 10' of ballast enclosure.  
2-Fixture may be provided with a Metal Halide ballast designed to operate a Mercury Vapor lamp.