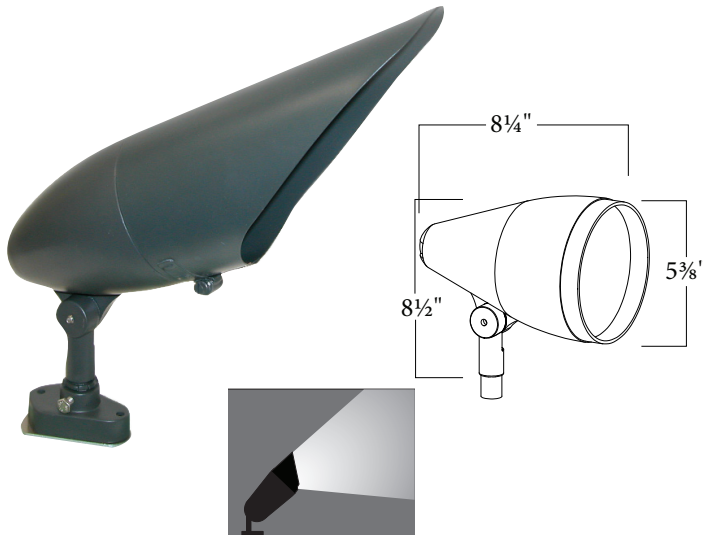


## R-SERIES

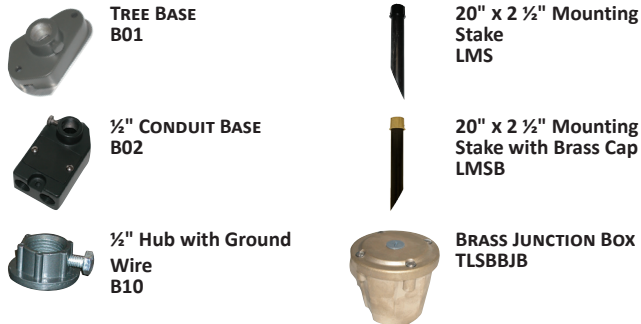
### Large Aluminum Bullet



## DESIGN

The R4AG Bullet Light was designed to set the industry standard for landscape bullets. Their sturdy construction and sleek design make them suitable for a myriad of landscape applications. A multitude of lens/shield combinations makes this series of bullets the most versatile in the industry.

## ACCESSORIES



## ORDERING INFORMATION

Description	Part Number
70W MH PAR38 WFL, DOWN SHIELD	R4AG-1-1-12-5-(A)
70W MH PAR38 WFL, UP SHIELD	R4AG-2-1-12-5-(A)
100W MV R40, DOWN SHIELD	R4AG-1-1-1-2-(A) <sup>1</sup>
100W MV R40, UP SHIELD	R4AG-2-1-1-2-(A) <sup>1</sup>
100W MH PAR38 FL, DOWN SHIELD	R4AG-1-1-17-6-(A)
100W MH PAR38 FL, UP SHIELD	R4AG-2-1-17-6-(A)
175W MV R40, DOWN SHIELD	R4AG-1-1-3-4-(A) <sup>1</sup>
175W MV R40, UP SHIELD	R4AG-2-1-3-4-(A) <sup>1</sup>
175W MH PAR38 FL, DOWN SHIELD	R4AG-1-1-?-?- (A)
175W MH PAR38 FL, UP SHIELD	R4AG-1-1-?-?- (A)

### Option Codes

#### (A) Finish

- 1 - OD Green
- 2 - White
- 3 - Bronze
- 4 - Black
- 5 - Special

## SHIELDS



## TECHNICAL INFORMATION

Constructed of die cast aluminum, it comes standard with a 1/2" threaded knuckle mount and 4kV 660W/600V pulse rated medium base socket. Light sources are available in 100W-175W Mercury Vapor, 70W-175W Metal Halide, or 90W Incandescent. The fixture is finished with a durable polyester powdercoat paint.

Notes: 1-Fixture may be provided with a Metal Halide ballast designed to operate a Mercury Vapor lamp. 2-Premium Shields are designed to allow debris to wash free in an up light position.