

## TDB SERIES

### Large Mercury Vapor Burial Light<sup>1</sup>



## DESIGN

The TDB4W Well Light was designed as a low profile in-ground Incandescent or HID well light. It can stand up to the corrosive forces of water, soil, and time. An assortment of finishing rings and lenses are available. An Anti-Siphon Chamber is provided to ensure no water can enter the main housing.

## ACCESSORIES



## ORDERING INFORMATION

100W R40 MV, COMP RING, FLAT LENS	TDB4W-1-6-0-1-19- (A) - (B)
100W R40 MV, COMP RING, CONV LENS	TDB4W-1-6-0-2-19- (A) - (B)
100W R40 MV, ROCK GRD, CONV LENS	TDB4W-2-6-0-2-19- (A) - (B)
100W E17 MV, SP REFL, COMP RING, FLAT LENS	TDB4W-1-6-2-1-17- (A) - (B)
100W E17 MV, SP REFL, COMP RING, CONV LENS	TDB4W-1-6-2-2-17- (A) - (B)
100W E17 MV, SP REFL, ROCK GRD, CONV LENS	TDB4W-2-6-2-2-17- (A) - (B)
100W E17 MV, FL REFL, COMP RING, FLAT LENS	TDB4W-1-6-1-1-17- (A) - (B)
100W E17 MV, FL REFL, COMP RING, CONV LENS	TDB4W-1-6-1-2-17- (A) - (B)
100W E17 MV, FL REFL, ROCK GRD, CONV LENS	TDB4W-2-6-1-2-17- (A) - (B)
175W R40 MV, COMP RING, FLAT LENS	TDB4W-1-7-0-1-21- (A) - (B)
175W R40 MV, COMP RING, CONV LENS	TDB4W-1-7-0-2-21- (A) - (B)
175W R40 MV, ROCK GRD, CONV LENS	TDB4W-2-7-0-2-21- (A) - (B)
175W E17 MV, SP REFL, COMP RING, FLAT LENS	TDB4W-1-7-2-1-20- (A) - (B)
175W E17 MV, SP REFL, COMP RING, CONV LENS	TDB4W-1-7-2-2-20- (A) - (B)
175W E17 MV, SP REFL, ROCK GRD, CONV LENS	TDB4W-2-7-2-2-20- (A) - (B)
175W E17 MV, FL REFL, COMP RING, FLAT LENS	TDB4W-1-7-1-1-20- (A) - (B)
175W E17 MV, FL REFL, COMP RING, CONV LENS	TDB4W-1-7-1-2-20- (A) - (B)
175W E17 MV, FL REFL, ROCK GRD, CONV LENS	TDB4W-2-7-1-2-20- (A) - (B)

### (A) Voltage

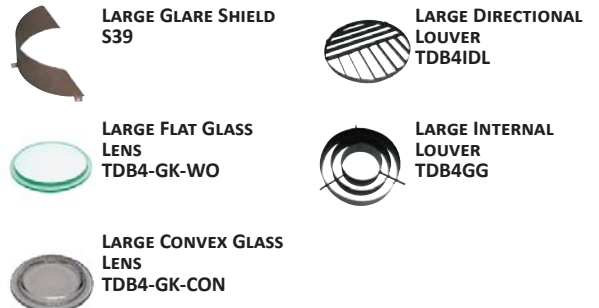
- 1 - 120V
- 2 - 208V
- 3 - 240V
- 4 - 277V

### (B) Cord

- 0 - No Cord
- 1 - 15'
- 2 - 30'

(Cord comes pre-wired from factory at specified voltage.)

## SHIELD / LENS



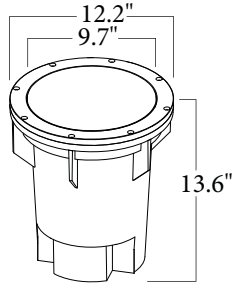
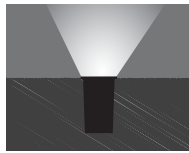
## TECHNICAL INFORMATION

Made from compression molded fiber reinforced polyester composite. Flood, spot, and wall wash optics available for HID E17 lamps. The fixture can be used with up to 175W Mercury Vapor lamps. Two 3/4" NPT conduit entries are provided. Color impregnated SR2 composite will not flake or peel.

Notes: 1-Fixture may be provided with a Metal Halide ballast designed to operate a Mercury Vapor lamp.

# TDB SERIES

## Large Metal Halide Burial Light



### DESIGN

The TDB4W Well Light was designed as a low profile in-ground Incandescent or HID well light. It can stand up to the corrosive forces of water, soil, and time. An assortment of finishing rings and lenses are available. An Anti-Siphon Chamber is provided to ensure no water can enter the main housing.

### ACCESSORIES



LARGE COMPOSITE ROCK GUARD  
TDB4-GRD-COM



LARGE CONCRETE POUR KIT  
PK4



LARGE STAINLESS STEEL RING  
TDB4-RG-SS



LARGE ANTI-FLOATATION DEVICE  
TDB4AFD



LARGE COMPOSITE RING  
TDB4-RG-COM

### ORDERING INFORMATION

100W R40 FL MH, COMP RING, FLAT LENS	TDB4W-1-2-0-1-11-(A)-(B)
100W R40 FL MH, COMP RING, CONV LENS	TDB4W-1-2-0-2-11-(A)-(B)
100W R40 FL MH, ROCK GRD, CONV LENS	TDB4W-2-2-0-2-11-(A)-(B)
100W E17 MH, SP REFL, COMP RING, FLAT LENS	TDB4W-1-2-2-1-7-(A)-(B)
100W E17 MH, SP REFL, COMP RING, CONV LENS	TDB4W-1-2-2-2-7-(A)-(B)
100W E17 MH, SP REFL, ROCK GRD, CONV LENS	TDB4W-2-2-2-2-7-(A)-(B)
100W E17 MH, FL REFL, COMP RING, FLAT LENS	TDB4W-1-2-1-1-7-(A)-(B)
100W E17 MH, FL REFL, COMP RING, CONV LENS	TDB4W-1-2-1-2-7-(A)-(B)
100W E17 MH, FL REFL, ROCK GRD, CONV LENS	TDB4W-2-2-1-2-7-(A)-(B)
150W E17 MH, SP REFL, COMP RING, FLAT LENS	TDB4W-1-3-2-1-12-(A)-(B)
150W E17 MH, SP REFL, COMP RING, CONV LENS	TDB4W-1-3-2-2-12-(A)-(B)
150W E17 MH, SP REFL, ROCK GRD, CONV LENS	TDB4W-2-3-2-2-12-(A)-(B)
150W E17 MH, FL REFL, COMP RING, FLAT LENS	TDB4W-1-3-1-1-12-(A)-(B)
150W E17 MH, FL REFL, COMP RING, CONV LENS	TDB4W-1-3-1-2-12-(A)-(B)
150W E17 MH, FL REFL, ROCK GRD, CONV LENS	TDB4W-2-3-1-2-12-(A)-(B)
175W E17 MH, SP REFL, COMP RING, FLAT LENS	TDB4W-1-4-2-1-13-(A)-(B)
175W E17 MH, SP REFL, COMP RING, CONV LENS	TDB4W-1-4-2-2-13-(A)-(B)
175W E17 MH, SP REFL, ROCK GRD, CONV LENS	TDB4W-2-4-2-2-13-(A)-(B)
175W E17 MH, FL REFL, COMP RING, FLAT LENS	TDB4W-1-4-1-1-13-(A)-(B)
175W E17 MH, FL REFL, COMP RING, CONV LENS	TDB4W-1-4-1-2-13-(A)-(B)
175W E17 MH, FL REFL, ROCK GRD, CONV LENS	TDB4W-2-4-1-2-13-(A)-(B)

(A) Voltage	(B) Cord
1 - 120V	0 - No Cord
2 - 208V	1 - 15'
3 - 240V	2 - 30'
4 - 277V	(Cord comes pre-wired from factory at specified voltage.)

### SHIELD / LENS



LARGE GLARE SHIELD  
S39



LARGE DIRECTIONAL LOUVER  
TDB4IDL



LARGE FLAT GLASS LENS  
TDB4-GK-WO



LARGE INTERNAL LOUVER  
TDB4GG



LARGE CONVEX GLASS LENS  
TDB4-GK-CON

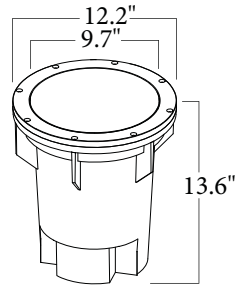
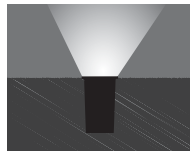
### TECHNICAL INFORMATION

Made from compression molded fiber reinforced polyester composite. Flood, spot, and wall wash optics available for HID E17 lamps. The fixture can be used with up to 175W Metal Halide lamps. Two 3/4" NPT conduit entries are provided. Color impregnated SR2 composite will not flake or peel.

IN GROUND

## TDB SERIES

### Large Incandescent Burial Light



## ORDERING INFORMATION

90W PAR38 QTZ FL, COMP RING, FLAT LENS	TDB4W-1-0-4-1-25-(A)-(B)
90W PAR38 QTZ FL, COMP RING, CONV LENS	TDB4W-1-0-4-2-25-(A)-(B)
90W PAR38 QTZ FL, ROCK GRD, CONV LENS	TDB4W-2-0-4-2-25-(A)-(B)
90W PAR38 QTZ SP, COMP RING, FLAT LENS	TDB4W-1-0-4-1-26-(A)-(B)
90W PAR38 QTZ SP, COMP RING, CONV LENS	TDB4W-1-0-4-2-26-(A)-(B)
90W PAR38 QTZ SP, ROCK GRD, CONV LENS	TDB4W-2-0-4-2-26-(A)-(B)

(A) Voltage	(B) Cord
1 - 120V	0 - No Cord
2 - 208V	1 - 15'
3 - 240V	2 - 30'
4 - 277V	(Cord comes pre-wired from factory at specified voltage.)

## DESIGN

The TDB4W Well Light was designed as a low profile in-ground Incandescent or HID well light. It can stand up to the corrosive forces of water, soil, and time. An assortment of finishing rings and lenses are available. An Anti-Siphon Chamber is provided to ensure no water can enter the main housing.

## ACCESSORIES



LARGE COMPOSITE ROCK GUARD  
TDB4-GRD-COM



LARGE CONCRETE POUR KIT  
PK4



LARGE STAINLESS STEEL RING  
TDB4-RG-SS



LARGE ANTI-FLOATATION DEVICE  
TDB4AFD



LARGE COMPOSITE RING  
TDB4-RG-COM

## SHIELD / LENS



LARGE GLARE SHIELD  
S39



LARGE FLAT GLASS LENS  
TDB4-GK-WO



LARGE CONVEX GLASS LENS  
TDB4-GK-CON



LARGE DIRECTIONAL LOUVER  
TDB4IDL



LARGE INTERNAL LOUVER  
TDB4GG

## TECHNICAL INFORMATION

Made from compression molded fiber reinforced polyester composite. The fixture can be used with up to 90W PAR38 Incandescent lamps. Two 3/4" NPT conduit entries are provided. Color impregnated SR2 composite will not flake or peel.