



Catalog Number	
Project	Type

Features & Specifications

Construction

The housing and door frame are constructed of die cast aluminum. The flat tempered glass lens is sealed in place and a door gasket is provided for weather tight protection. ETL listed for wet locations.

Optical System

Designed as a "power flood", it can be used to accent large, wide tree canopies or cover large areas for security. A variety of shielding options are available for added light control.

Electrical System

Available in 70W thru 400W standard metal halide, pulse-start metal halide, high pressure sodium, and mercury vapor. Comes standard with a 4KV pulse rated medium base socket. Each 60HZ CWA multi-tap or 480V ballast is pre-wired and installed for convenience.

Mounting

Standard mounting options include an adjustable yoke mount. Additional mounting options such as a 2-3/8" OD tenon, wall mount, and tree mount bases are available.

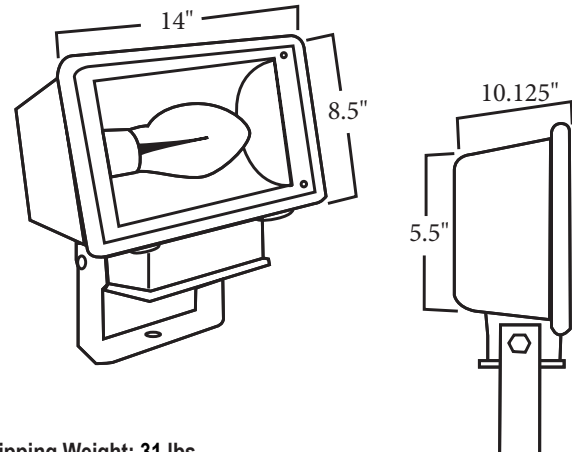
Finish

A Super Durable Polyester powder coat finish is electrostatically applied. Standard colors available: Black, Bronze, White, OD Green, US Green. Custom colors available upon request.

LRF SERIES LARGE RECTANGULAR FLOOD



DIMENSIONS



Est Shipping Weight: 31 lbs



Please contact your Techlight Sales Representative for more information.
All dimensions subject to change without notice.

Ordering Nomenclature

Ex: (Large Rectangular Flood, 400W Pulse-Start Metal Halide, Multi-Tap, Bronze = LRFB3A-PS-BZ)

LRF					
SERIES		WATTAGE		VOLTAGE	PULSE-START
LRF		B1 - 175W MH		A - Multi-Tap ¹	PS - Pulse-Start
Large Rectangular Flood		B2 - 250W MH		B - 480V	
		B3 - 400W MH			
		B4 - 175W MV			
		B5 - 250W MV			
		B6 - 250W HPS			
		B7 - 400W HPS			
		B8 - 150W HPS			
		B9 - 320W PSMH			
		B10 - 100W PSMH			
		B11 - 100W HPS			
		B12 - 100W MV			
		B13 - 70W PSMH			
					FINISH
					BK - Black
					BZ - Bronze
					GR - OD Green
					WH - White
					USG- US Green
					SP - Special