



Catalog Number	
Project	Type

Features & Specifications

Construction

Made with a spun copper housing with stainless steel fasteners. Designed to efficiently operate R40 and PAR38 shaped lamps. A high temperature drain plug is provided for uplight applications. ETL listed for wet locations.

Optical System

Beam spreads vary based on the light source and lamp shape chosen. Standard shields include an up shield with a convex clear tempered glass lens and an open down shield. Various additional shield and lens assemblies are available for custom applications.

Electrical System

HID models can be ordered with multi-tap (120V, 208V, 240V, 277V) high power factor or 120V normal power factor ballast enclosures. Incandescent models available for line voltage operation. Each fixture comes with a medium base porcelain 4KV rated socket.

Mounting

Comes standard with a 1/2" threaded zinc knuckle mount, fully adjustable swivel arm, and locking teeth. The fixture can be mounted directly to the ballast enclosure, or it can be remote mounted using a Techlight mounting accessory.

Finish

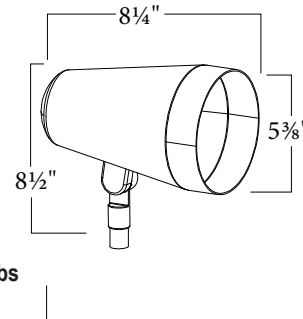
A Patina Finish or Super Durable Polyester Powder Coat finish are both available. Standard colors available: Natural Copper, Brown Patina, Flemish Patina, Gray Patina, Black, Bronze, White, OD Green, US Green. Custom colors available upon request.

R-SERIES R4LWC R40 Copper Bullet



Fixture shown with B06 Tree Base.

DIMENSIONS



Est Shipping Weight: 3 lbs
for fixture head only



Please contact your Techlight Sales Representative for more information.
All dimensions subject to change without notice.

Ordering Nomenclature

Ex: (R4LWC Series, Up Shield w/ Lens, Tree Base, 175W Mercury Vapor, Medium Steel Multi-Tap Ballast Enclosure, Brown Patina = R4LWC-2-2-2-28-2)

R4LWC					
--------------	--	--	--	--	--

SERIES	SHIELD	BASE	LAMP	BALLAST ENCLOSURE	FINISH
R4LWC R40 Copper Bullet	1 - S26-Down Shield 2 - S27-Up Shield w/ Lens 3 - S57-Down Shield w/ Lens	1 - B02-1/2" Conduit Base 2 - B06-Brass Tree Base 4 - LMSB-20"x2.5" Stake w/ Brass Cap 5 - B10-1/2" Hub w/ Ground 6 - B09-1/2" Hub on MSE Cover 7 - B13-1/2" Hub on SSE Cover 10- LMS-20"x2.5" Stake w/ PVC Cap	1 - MV100R40MED 2 - MV175R40MED 3 - MV100PAR38MED 5 - MH70R40FLMED 6 - MH100R40SPMED 7 - MH100R40FLMED 8 - MH175R40SPMED 9 - MH175R40FLMED 15- MH100MED-FLREF 22- MV100R40CMED 23- MV175R40CMED 24- MH100MED-SPREF 26- Q90P38F130 27- Q90P38S130	1 - FGE04-100W MV MT Fiberglass 2 - FGE06-175W MV MT Fiberglass 4 - FGE09-100W MH MT Fiberglass 5 - FGE11-175W MH MT Fiberglass 24- SSEG06-100W MV MT Small Aluminum 26- MSEG02-100W MV MT Medium Aluminum 28- MSEG04-175W MV MT Medium Aluminum 29- MSEG07-100W MH MT Medium Aluminum 31- SSMSEG04-100W MV MT Medium Stainless 33- SSMSEG06-175W MV MT Medium Stainless	1 - Natural Copper 2 - Brown Patina 3 - Flemish Patina 4 - Gray Patina 5 - Black 6 - Bronze 7 - OD Green 8 - White 9 - Special