



Catalog Number	
Project	Type

FEATURES & SPECIFICATIONS

APPLICATION – LED Linear Lights are a great way to provide affordable and adequate lighting while still saving energy. With 50,000 hours of life at L70 standard and a 5-year limited warranty the fixture maintenance cost is reduced substantially over time.

FEATURES – Premium designed to mount on exact 4 foot, 8 foot, and 12 foot centers. Heavy gauge roll formed steel housing with slots covered by an opaque overlay. Accepts optional plug-in wiring feature for continuous row installation. Two die cast aluminum architectural ends available (Spade and Bull Nose). Can be pendant mounted with rigid or aircraft pendants.

FINISH – Post painted housing and components with a Lighting White Polyester type paint which has a UV stabilizer included with a 93% reflectivity. Raw steel goes through our custom wash system with a mild solvent and pre-treatment “rust inhibitor” before passing through a preheat oven. After the paint is applied the fixture then passes through the cure oven for maximum adhesion. Each fixture is painted to a minimum of 2-3 mil thickness for extra durability.

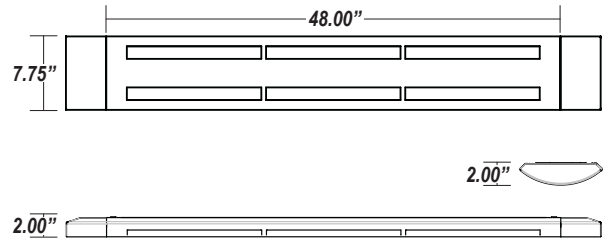
ELECTRICAL SYSTEM – Long life LED’s and high efficiency drivers work together to provide superior performance in an efficient package to deliver optimal performance. LED’s available in 3500K, 4000K and 5000K with a CRI >82. Electronic drivers are available in 120/277 volt applications. 0-10V dimming as well as 50% step dimming capabilities available upon request. When in the step dimming 50% position the 0-10V leads may still be utilized for further dimming control.

LISTINGS – ETL listed. LM79 and LM80 tested.

WARRANTY – The complete luminaire is covered by a 5-year limited warranty.



LED Slotted Direct Linear Light LESLL SERIES



Series	Length & Width
LESLL	48.00" x 7.75"

Dimensions shown are for 4' Unit Only. See pg 3 for additional dimensions.

ORDERING INFORMATION

Choose the bold face options for the appropriate luminaire configuration for your application and enter on the line above each fixture attribute. Accessories may be factory installed, depending on the particular accessory chosen, but still be ordered as a separate line item.

Example: **LESLL5254D**

Series	Length ⁴	Wattage	Delivered Lumens/CCT	Uplight	Voltage	Row Length
LESLL	4 4' 8 8'	42 ¹ 52 ^{1,5}	39 3906 Lumens / 3500K (42W Only) 42 4200 Lumens / 4000K (42W Only) 43 4251 Lumens / 5000K (42W Only) 49 4929 Lumens / 3500K (52W Only) 53 5300 Lumens / 4000K (52W Only) 54 5364 Lumens / 5000K (52W Only)	U Optional Up-Light ² <small>(Leave blank for NO Up-Light)</small>	D Multi-Volt ³	To aid in determining the correct bill of material for your order. Please list the row length on the purchase order as such: Row Length = 16 feet For multiple rows please list out the individual row lengths for each row as such: Row 1 = 16 feet Row 2 = 20 feet

Options (Order as separate line items)

LEB13 1300 Lumen Emergency Ballast	WH48 Wiring Harness 4-Wire 8-Foot
WH34 Wiring Harness 3-Wire 4-Foot	WH58 Wiring Harness 5-Wire 8-Foot
WH44 Wiring Harness 4-Wire 4-Foot	CD Continuous Dimming
WH54 Wiring Harness 5-Wire 4-Foot	SD Step Dimming
WH38 Wiring Harness 3-Wire 8-Foot	

NOTES

- Actual wattage may differ by ±5% while operating 120/277V ±10%.
- Up-Light option provides a 26W LED Up-Light for each 4' fixture section.
- Multi-Volt is 120/277V.
- Wattage/Delivered Lumen packages do not change based on the fixture being a 4'/8' unit. 8' units may have the LED light components centered within the length of the fixture depending on wattage ordered.
- 52W unit only available in the 8' version.

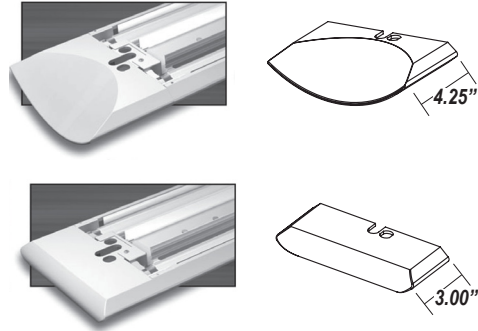
LESLL LED Slotted Linear Light

END CAPS

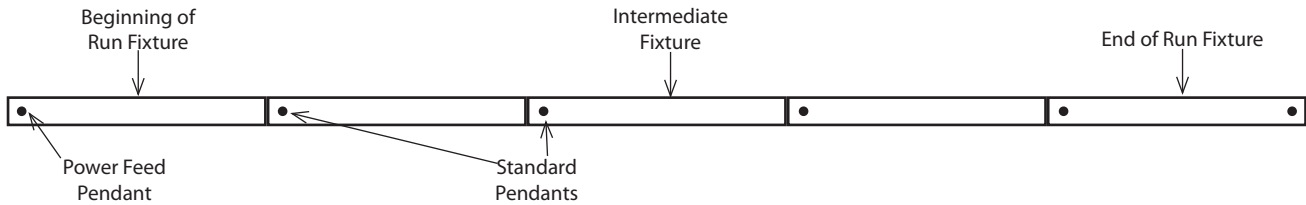
The Horizon Slotted Linear fixture was designed to be mounted as either a stand-alone fixture, or mounted end-to-end for continuous linear rows. The mounting configuration will determine the number of end caps and joiner plates needed to complete an installation.

End Caps should be ordered 2 per fixture for stand-alone fixtures or 2 per row for continuous linear rows (# of fixtures x 2, or # of rows x 2). Joiner Plates should be ordered as 1 per the number of fixtures in each row minus 1 (# of fixtures per row minus one)

Part Number	Description
SEC	Spade Nose End Cap (one)
BNEC	Bull Nose End Cap (one)

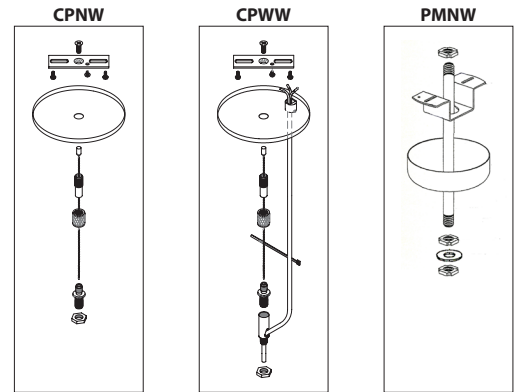


PENDANTS



A mounting pendant is needed for the beginning of each row, for each connection point in a continuous row and for the end of each row. Custom pendant lengths may be available upon request.

Pendants		Length ²	
PMNW	<i>Rigid Pendant¹</i>	12	<i>Rigid</i> 12"
CPNW	<i>Aircraft Cable Pendant No Power Feed</i>	18	18"
CPWW	<i>Aircraft Cable Pendant With Power Feed Wireway</i>	24	24"
		50	<i>Aircraft Cable³</i> 50"
		100	100"
		150	150"
		200	200"



Typical Row Configurations

	Row Length	4'	8'	12'	16'	20'	24'	28'	32'	36'	40'	44'	48'
Fixture Length	4'	1		1		1		1		1		1	
	8'		1	1	2	2	3	3	4	4	5	5	6
Power Feed Pendant		1	1	1	1	1	1	1	1	1	1	1	1
Non-Power Pendant		1	1	2	2	3	3	4	4	5	5	6	6
End Caps		2	2	2	2	2	2	2	2	2	2	2	2

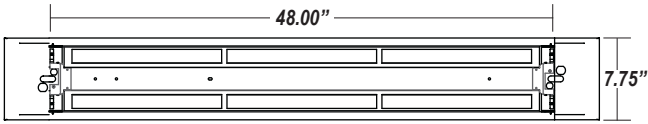
NOTES

- ¹ Rigid pendant may be used as a power feed.
- ² All pendant lengths are order in inches. Custom lengths available upon request.
- ³ Aircraft cable pendants may be field cut for custom lengths. Specific lengths available over 200" available upon request.

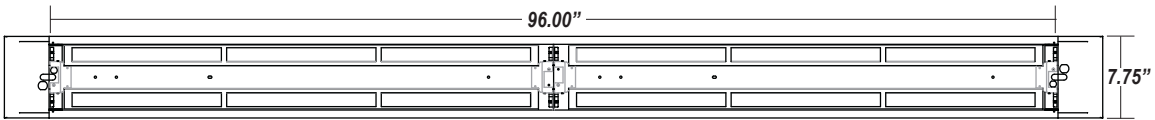
LESLL LED Slotted Linear Light

ADDITIONAL DIMENSIONS

Dimensions for 4' unit



Dimensions for 8' unit



Horizon Linear Lighting
2707 Satsuma Drive
Dallas, TX, 75229
Phone: 214-350-0591, 800-225-0727, Fax: 214-350-9137
www.horizonlightingllc.com

All dimensions and specifications are subject to change without notice.