



Catalog Number	
Project	Type

## Features & Specifications

### Application

This fixture is designed for suspension mounting for direct/indirect applications where aesthetics and performance are both needed. Virtually glare free and shadow free illumination.

### Features

Designed to mount on exact 4 foot, 8 foot, and 12 foot centers. Joiners will accept stems, single cable, and power cords as supplied by Horizon. Louvers available in white or semi-spec aluminum. Louvers give a better than 45 degree cutoff to the lamp. Two die cast aluminum architectural ends available (Spade, Bull Nose). Optional lamp sleeves are available that allow for the adjustment of the up/down light produced by the fixture (order one per lamp).

### Construction

Heavy gauge roll formed steel housing with slots covered by an opaque overlay. Units are shipped with die cast aluminum joiners installed for suspension and structural continuity.

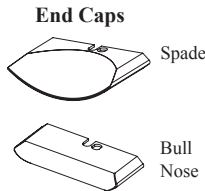
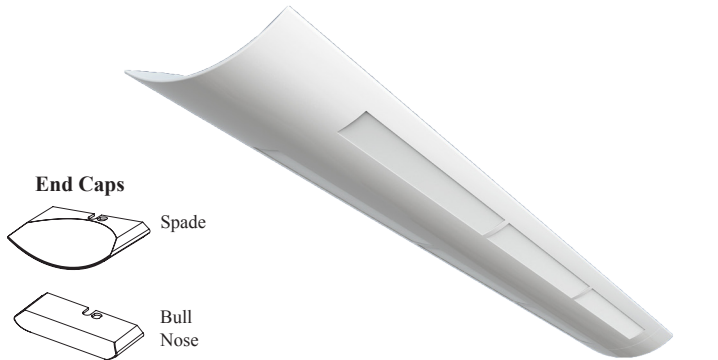
### Electrical System

ETL listed. Suitable for damp locations. Damp location emergency pack must be specified separately. Ballasts are solid-state electronic. Ballasts and lamp holders are replaceable without removing from ceiling. Discrete voltage must be specified for emergency pack options when wired with flex.

### Finish

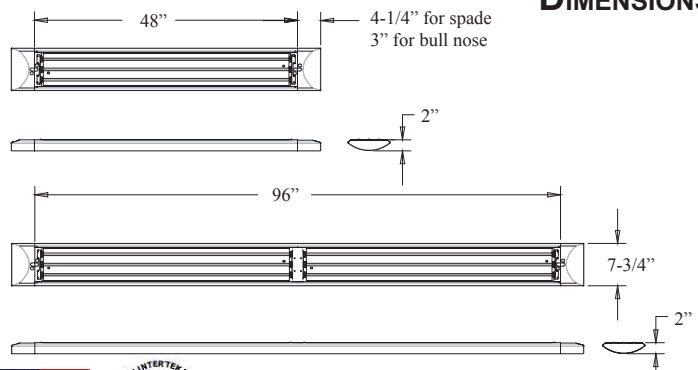
All reflective surfaces are finished with a high reflectance, lighting fixture white polyester powder.

## SLL SERIES SLOTTED LINEAR LIGHT



\*End Caps must be ordered separately.  
See Page 2 for ordering information

### DIMENSIONS



Please contact your Horizon Sales Representative for more information.  
All dimensions subject to change without notice.

### Ordering Nomenclature

Ex: (Slotted Linear, 2 Lamps, F32T8, White Louvers, White Fixture, Multi-Volt = SLL232WD)

\*End Caps must be ordered separately.  
See Page 2 for ordering information

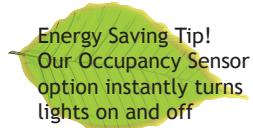
--	--	--	--	--	--	--

SERIES	NUMBER OF LAMPS PER CROSS SECTION	WATTAGE/TYPE	FIXTURE COLOR	VOLTAGE	BALLAST FACTOR	OPTIONS
SLL	2	32 - 32W T8, 48"	BLANK - White T - Titanium B - Black	D - Multi-Volt 1 - 120V 2 - 277V 3 - 347V 4 - 480V  *Multi-Volt is 120/277V	BLANK - Normal H - High L - Low	10RS - ≤10% THD, Rapid Start P - Program Start 20 - ≤20% THD EB5 - 500 Lumen Emergency Ballast EB7 - 700 Lumen Emergency Ballast EB14 - 1400 Lumen Emergency Ballast EB30 - 3000 Lumen Emergency Ballast LDT5 - T5 Lamp Sleeve (one) LDT8 - T8 Lamp Sleeve (one) FBF - Fast-Blow Fuse SBF - Slow-Blow Fuse AC63 - 6', 3/8" dia., Armored Flex Cable SJ6 - 6', 3/8" dia., 16/3 SJ Cord SJ10 - 10', 3/8" dia., 16/3 SJ Cord SJ15 - 15', 3/8" dia., 16/3 SJ Cord PWO - Palletized without Cartons CD - Continuous Dimming (T8) SD - Step Dimming (T8) WOC - 120/347 Volt Sensor WOC1 - 480 Volt Sensor C1 - 6' Cord w/120V Nema Plug 16/3 15A C2 - 6' Cord w/277V Nema Plug 16/3 15A C3 - 10' Cord w/277V Nema Plug 16/3 20A C4 - 6' Cord w/480V Nema Plug 16/3 20A

- LDT5 - T5 Lamp Sleeve
- LDT8 - T8 Lamp Sleeve
- WH34- Wiring Harness 3-Wire 4-Foot
- WH44- Wiring Harness 4-Wire 4-Foot
- WH54- Wiring Harness 5-Wire 4-Foot
- WH38- Wiring Harness 3-Wire 8-Foot

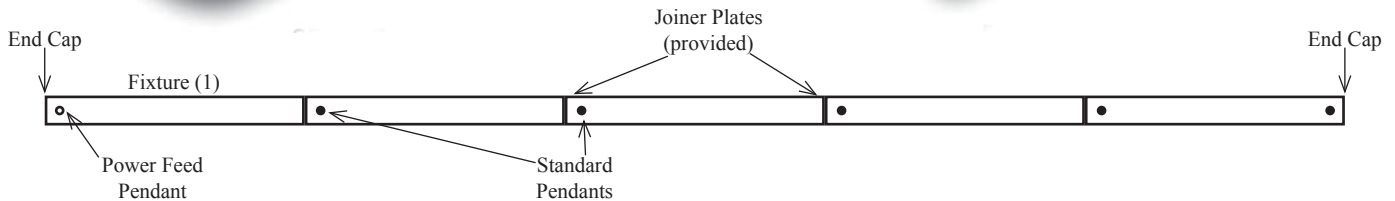
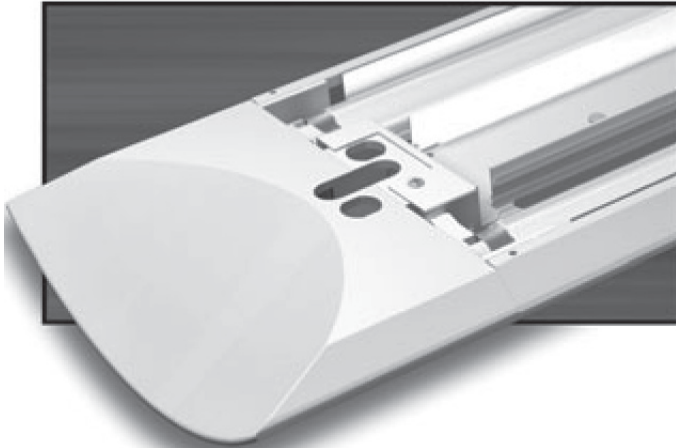
- ADDITIONAL OPTIONS
- WH48- Wiring Harness 4-Wire 8-Foot
  - WH58- Wiring Harness 5-Wire 8-Foot

\*See Second Page for End Cap and Pendant Information



SPADE

BULL NOSE



### End Caps and Joiner Plates

The Horizon Slotted Linear fixture was designed to be mounted as either a stand-alone fixture, or mounted end-to-end for continuous linear rows. The mounting configuration will determine the number of end caps and joiner plates needed to complete an installation.

End Caps should be ordered 2 per fixture for stand-alone fixtures or 2 per row for continuous linear rows (# of fixtures x 2, or # of rows x 2). Joiner Plates should be ordered as 1 per the number of fixtures in each row minus 1 (# of fixtures per row minus one)

Part Number	Description
SEC	Spade Nose End Cap (one)
BNEC	Bull Nose End Cap (one)

### Pendants

Power feed pendants should be ordered 1 per row for continuous linear rows (# of rows x 1). Non-power feed pendants should be ordered 1 per fixture for continuous linear rows (# of fixtures x 1).

Part Number	Description
PMN <b>XX</b>	Rigid pendant - may be used as power feed
CPN <b>XX</b>	Aircraft Cable pendant - no power feed
CPW <b>XX</b>	Aircraft Cable pendant with power feed wireway

**"XX"** Denotes pendant length. Order as 12", 15", 18", 21", 24" or 27" lengths.

### Typical Row Configurations

	Row Length	4'	8'	12'	16'	20'	24'	28'	32'	36'	40'	44'	48'
Fixture Length	4'	1		1		1		1		1		1	
	8'		1	1	2	2	3	3	4	4	5	5	6
Power Feed Pendant		1	1	1	1	1	1	1	1	1	1	1	1
Non-Power Pendant		1	1	2	2	3	3	4	4	5	5	6	6
End Caps		2	2	2	2	2	2	2	2	2	2	2	2
Joiner Plates				1	1	2	2	3	3	4	4	5	5