



PART NUMBER		TYPE	JOB/PROJECT
QUANTITY	VOLTAGE	MFG TECHLIGHT	SUBMITTAL INFORMATION
COMMENTS:			CREATED BY: _____ DATE: _____
			APPROVAL: _____
			APPROVED BY: _____ DATE: _____

## SPECIFICATIONS

### Construction

The TL Series Path Lights showcase a simple contemporary design with the sturdy construction of copper. The wide selection of finishes available allows this fixture to subtly blend into any landscape or lawn design.

### Optical System

A frosted glass shroud encompasses the LED light source created an evenly diffused symmetrical light pattern. The TLSCPL comes with a 6.7" round cutoff top to keep light directed downwards. The TLPLKMC comes with a small top and directional side shield.

### Electrical System

A 5 watt single source LED Board provides approximately 365 lumens of warm white light. The system operates off a low voltage transformer that is remotely mounted.

### Mounting

It comes standard with a 12" or 18" tall, 1/2" NPT stem and mounting stake. Provided with a 3' long 18 ga. whip and low voltage connector.

### Finish

The fixture can be finished with a durable polyester powdercoat paint, left unfinished to patina naturally, or provided with a factory applied patina finish.

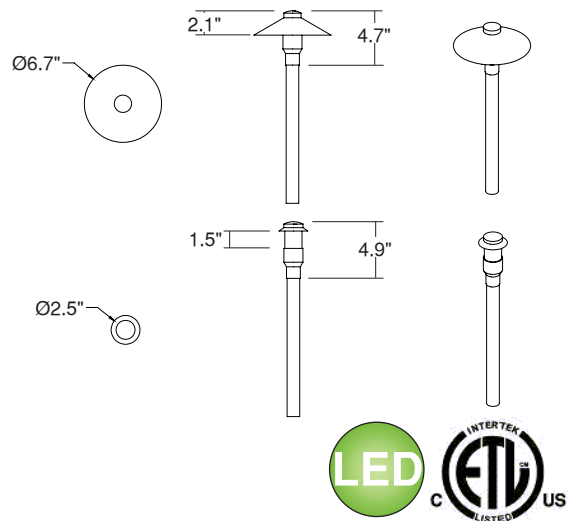
## Genesis Series Copper LED Path Lights

TLSCPL-SLED

TLPLKMC-SLED



### DIMENSIONS



**Note:** The Genesis LED System requires a fixture, driver, and a power supply for the system to operate. The use of any non-Techlight product within the LED system will void the warranty.

### ORDERING INFORMATION

[Contact Your Local Techlight Sales Representative for Additional Information](#)

### Fixture

FIXTURE	Description
TLSCPL-SLED	Copper LED Path Light with 18" Stem
TLSCPL12-SLED	Copper LED Path Light with 12" Stem
TLPLKMC-SLED	Small Directional Copper LED Path Light with 18" Stem
TLPLKMC12-SLED	Small Directional Copper LED Path Light with 12" Stem
(All LED Path Lights come with an integral LED Driver)	

# Genesis Series - Medium LED Bullet

## Transformer Enclosures (Order as separate catalog number)

### 30V - LOW VOLTAGE TRANSFORMERS



100W LV  
Transformer  
Enclosure  
**GILV100**



150W LV  
Transformer  
Enclosure  
**GILV150**

Accessory Bill of Material	QTY	QTY

Mounting and Power Accessories must be configured specifically for each individual job. The Bill of Material shown here should be for the complete project, not the individual fixture type within a project because multiple fixture types may be operated off of shared power supplies.

Notes:

LED lifetime calculations are derived from the life hours based on a 55° Tj (junction temperature). Techlight is constantly striving to improve LED performance, therefore, the information provided here is subject to change without notice.

TECHLIGHT · 2707 Satsuma Drive · Dallas, TX 75229 · TEL 214.350.0591 · FAX 214.350.0591