

**WARNING: ALWAYS INSTALL FIXTURES ACCORDING TO NATIONAL ELECTRICAL CODE (NEC) AND LOCAL CODES. FAILURE TO DO SO WILL VOID THE WARRANTY AND COULD CAUSE DAMAGE TO THE FIXTURE OR MAY RESULT IN PERSONAL INJURY.**

**IMPORTANT: TURN ELECTRICITY OFF AT THE CIRCUIT BREAKER BEFORE INSTALLING OR PERFORMING MAINTENANCE ON FIXTURE.**

This information deals with fixtures supplied by Techlight along with certain safety issues. It is **NOT** a comprehensive description of how to install these fixtures. Installation contractors must be relied upon for equipment and practices that meet the conditions of each job location. Techlight cannot be responsible for any damage that may occur during or after installation, or for any structure that has been modified by the purchaser or that is used in some way other than our application recommendations.

**⚠ CAUTION: MAKE CERTAIN POWER SUPPLY IS DISCONNECTED DURING INSTALLATION!**

## HARDWARE KIT:

- #12 Self Drilling SS Screws (4X)
- EPDM Bonded SS Sealing Washers (4X)

## TOOLS & MATERIALS REQUIRED:

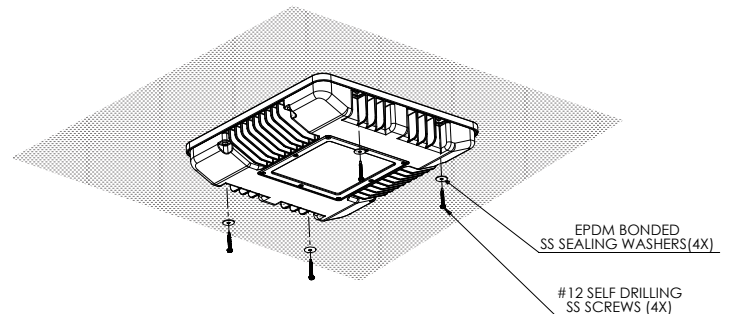
- Adjustable Wrench
- 5/16" Hex Driver Bit
- Cordless Drill
- Pipe Thread Sealant
- RTV Silicone

## INSTALLATION

1. Remove the CSL fixture from the packaging taking care not to damage the fixture or the finish. Mounting hardware is provided.
2. Remove Clamp Nut (with O-Ring Seal), Clamping Plate and Clamping Plate Gasket from the threaded hub. **DO NOT ATTEMPT TO REMOVE 1/2-14 NPS THREADED STEM.** This component is bonded to the fixture and wires are potted internally to the housing from the factory.
3. Working from below the canopy, mark and cut out wire way hole for fixture installation. A minimum of 2-1/4" diameter hole is required in the canopy, centered between two canopy ribs. **WARNING: Wire way hole must not exceed 4" diameter.**
4. For canopy deck mounting, align the fixture in final mounting position and insert and tighten the four (4) supplied #12 Self Drilling SS Screws and four (4) EPDM Bonded SS Sealing Washers as shown in **FIGURE 1** into metal ceiling. If ceiling isn't metal use appropriate customer supplied hardware. For structural channel mounting, go straight to Step 5.
5. Working above the canopy/structural channel, install the Clamping Plate Gasket, Clamping Plate and Clamp Nut (with O-Ring Seal) and tighten to compress gasket against the canopy. See **FIGURE 2** for canopy deck mounting, **FIGURE 3** for structural channel mounting.
6. Apply thread sealant to stem and attach the customer supplied wet location junction box with 1/2"-14 pipe openings to the threaded stem, pull supply conductors into the junction box. Install hole plugs for structural channel mounting, **FIGURE 3**.
7. Wire fixture and close junction box with gasketed cover. Perform all supply power wiring per NEC and local code using suitable wiring connectors (provided by others).
8. Apply RTV silicone to all 4 screw penetrations on top of canopy deck.

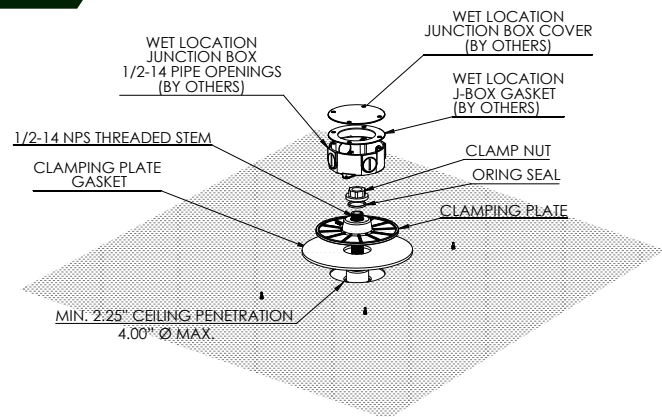
**NOTE: NO END USER SERVICEABLE PARTS INSIDE LUMINAIRE. DO NOT OPEN OR ATTEMPT TO OPEN LUMINAIRE AT INITIAL INSTALLATION!**

FIGURE 1



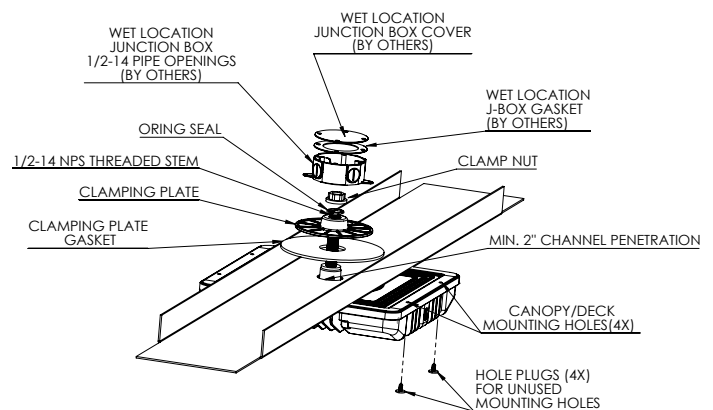
**CSL SERIES (CSL-S-HAZ)**  
SURFACE MOUNT PETROLEUM CANOPY  
MOUNTING DETAIL **BELOW** DECK  
(Requires "HAZ" - Hazardous Location Option, See Spec for Details)

FIGURE 2



**CSL SERIES (CSL-S-HAZ)**  
SURFACE MOUNT PETROLEUM CANOPY  
MOUNTING DETAIL **ABOVE** DECK

FIGURE 3



**CSL SERIES (CSL-S-HAZ)**  
SURFACE MOUNT DIRECT STRUCTURE MOUNTING DETAIL.  
ABOVE STRUCTURE SHOWN.

**NOTE: HAZ MODEL MARKINGS MUST REMAIN VISIBLE AFTER INSTALLATION. DO NOT REMOVE LABELS!**

# CSL - REFRIGERATION MOUNT INSTALLATION INSTRUCTIONS

**WARNING:** ALWAYS INSTALL FIXTURES ACCORDING TO NATIONAL ELECTRICAL CODE (NEC) AND LOCAL CODES. FAILURE TO DO SO WILL VOID THE WARRANTY AND COULD CAUSE DAMAGE TO THE FIXTURE OR MAY RESULT IN PERSONAL INJURY.

**IMPORTANT:** TURN ELECTRICITY OFF AT THE CIRCUIT BREAKER BEFORE INSTALLING OR PERFORMING MAINTENANCE ON FIXTURE.

This information deals with fixtures supplied by Techlight along with certain safety issues. It is **NOT** a comprehensive description of how to install these fixtures. Installation contractors must be relied upon for equipment and practices that meet the conditions of each job location. Techlight cannot be responsible for any damage that may occur during or after installation, or for any structure that has been modified by the purchaser or that is used in some way other than our application recommendations.

**⚠ CAUTION:** MAKE CERTAIN POWER SUPPLY IS DISCONNECTED DURING INSTALLATION!

## HARDWARE KIT:

- #12 Self Drilling SS Screws (4X)
- EPDM Bonded SS Sealing Washers (4X)

## TOOLS & MATERIALS REQUIRED:

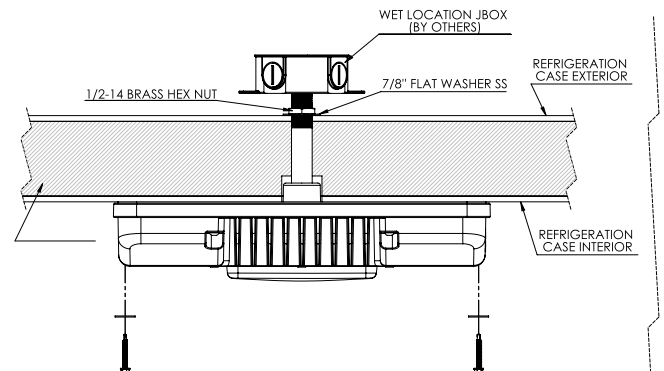
- Adjustable Wrench
- 5/16" Hex Driver Bit
- Cordless Drill
- Pipe Thread Sealant
- RTV Silicone

## INSTALLATION

1. Remove the CSL fixture from the packaging taking care not to damage the fixture or the finish. Mounting hardware is provided.
2. Remove 1/2"-14 Brass Hex Nut and 7/8" Flat Washer. **DO NOT ATTEMPT TO REMOVE COMPOSITE 1/2"-14 NPS THREADED STEM.** This component is bonded to the fixture and wires are potted internally to the housing from the factory.
3. Working from below the canopy, mark and cut out a 1.00" hole thru lower and upper canopy skins. Using hole saw cut a 2.00"Ø hole in lower interior skin to clear hub.
4. Align the fixture in final mounting position and insert and tighten the four (4) supplied #12 Self Drilling SS Screws and four (4) EPDM Bonded SS Sealing Washers as shown in **FIGURE 1**.
5. Working above the canopy, install the 1/2"-14 Brass Hex Nut and 7/8" Flat Washer and tighten until it presses firmly against the canopy See **FIGURE 2**.
6. Apply thread sealant to stem and attach the customer supplied wet location junction box with 1/2"-14 pipe openings to the threaded stem, pull supply conductors into the junction box.
7. Wire fixture and close junction box with gasketed cover. Perform all supply power wiring per NEC and local code using suitable wiring connectors (provided by others).
8. Apply RTV silicone where the threaded stem penetrates the Brass Hex Nut and Flat Washer..

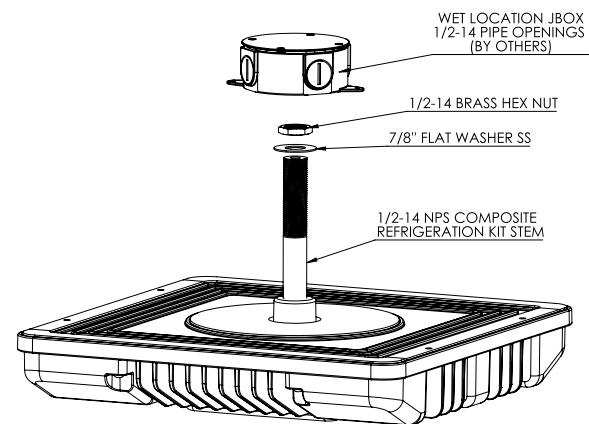
**NOTES** - Fixture must be installed by a licensed electrician. These instructions do not cover all details or variations in equipment, nor do they provide for every uncertainty related to installation, operation, maintenance, or mounting contingency. Should specific problems occur that are not covered sufficiently for the purchaser's purpose, contact Techlight for additional product or application information. Improper installation and/or utilization may void manufacturer's warranty. Techlight assumes no responsibility for claims arising out of improper or careless installation or handling of this product.

**FIGURE 1**



**CSL SERIES (CSL-S-RK)**  
SURFACE MOUNT REFRIGERATION CEILING MOUNT  
CROSS SECTION DETAIL  
(Requires "RK" - Refrigeration Kit Option, See Spec for Details)

**FIGURE 2**



**CSL SERIES (CSL-S-RK)**  
SURFACE MOUNT REFRIGERATION CEILING MOUNT

**NOTE:** NO END USER SERVICEABLE PARTS INSIDE LUMINAIRE.  
DO NOT OPEN OR ATTEMPT TO OPEN LUMINAIRE AT INITIAL INSTALLATION!

# CSL - PENDANT MOUNT

## INSTALLATION INSTRUCTIONS

**WARNING:** ALWAYS INSTALL FIXTURES ACCORDING TO NATIONAL ELECTRICAL CODE (NEC) AND LOCAL CODES. FAILURE TO DO SO WILL VOID THE WARRANTY AND COULD CAUSE DAMAGE TO THE FIXTURE OR MAY RESULT IN PERSONAL INJURY.

**IMPORTANT:** TURN ELECTRICITY OFF AT THE CIRCUIT BREAKER BEFORE INSTALLING OR PERFORMING MAINTENANCE ON FIXTURE.

This information deals with fixtures supplied by Techlight along with certain safety issues. It is **NOT** a comprehensive description of how to install these fixtures. Installation contractors must be relied upon for equipment and practices that meet the conditions of each job location. Techlight cannot be responsible for any damage that may occur during or after installation, or for any structure that has been modified by the purchaser or that is used in some way other than our application recommendations.

**⚠ CAUTION:** MAKE CERTAIN POWER SUPPLY IS DISCONNECTED DURING INSTALLATION!

**NOTE:** PENDANTS AND PENDANT MOUNT ACCESSORIES ARE SOLD SEPARATELY

### TOOLS & MATERIALS REQUIRED:

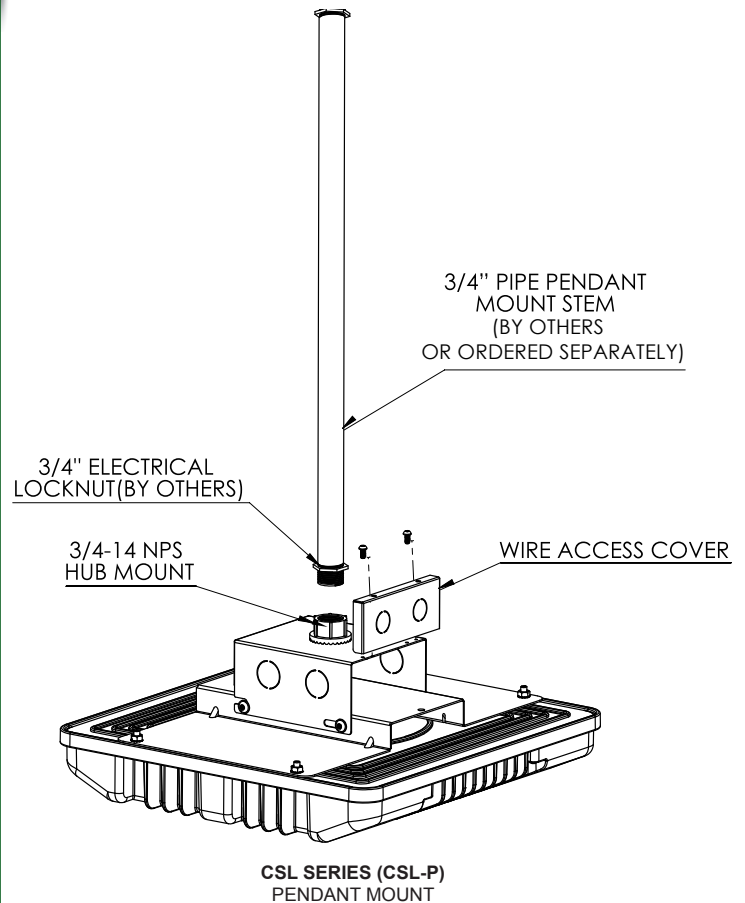
- T-20 Torx Driver
- T-30 Torx Driver
- Channel-Lock Pliers
- Pipe Thread Sealant

### INSTALLATION

1. Remove the CSL fixture from the packaging taking care not to damage the fixture or the finish. Mounting hardware is provided.
2. Remove the splice box wire access cover and set aside.
3. Attach the splice box to the 3/4" pendant (by others) and thread the 3/4"-14 NPS hub onto the pendant. See **FIGURE 1**. Make sure a locknut (by others) is threaded on to the pendant prior to mounting the splice box. Orient the splice box so that the fixture will be squared as desired. Re-orientation of the splice box may be done by either loosening the pendant lock nut or by loosening the provided hub locknut inside the splice box. Make sure both locknuts are firmly tightened prior to hanging the fixture.
4. Pull supply leads into the splice box.
5. Attach the fixture to the splice box by sliding the hinge screws into the open slots. Swing the fixture up until the two retaining screw holes are aligned with the closed slots and re-insert the retaining screws. Tighten all screws that attach the splice box to the fixture.
6. Wire fixture and replace wire access cover. Perform all supply power wiring per NEC and local code using suitable wiring connectors (provided by others).

**NOTES** - Fixture must be installed by a licensed electrician. These instructions do not cover all details or variations in equipment, nor do they provide for every uncertainty related to installation, operation, maintenance, or mounting contingency. Should specific problems occur that are not covered sufficiently for the purchaser's purpose, contact Techlight for additional product or application information. Improper installation and/or utilization may void manufacturer's warranty. Techlight assumes no responsibility for claims arising out of improper or careless installation or handling of this product.

**FIGURE 1**



**NOTE:** NO END USER SERVICEABLE PARTS INSIDE LUMINAIRE. DO NOT OPEN OR ATTEMPT TO OPEN LUMINAIRE AT INITIAL INSTALLATION!

**WARNING: ALWAYS INSTALL FIXTURES ACCORDING TO NATIONAL ELECTRICAL CODE (NEC) AND LOCAL CODES. FAILURE TO DO SO WILL VOID THE WARRANTY AND COULD CAUSE DAMAGE TO THE FIXTURE OR MAY RESULT IN PERSONAL INJURY.**

**IMPORTANT: TURN ELECTRICITY OFF AT THE CIRCUIT BREAKER BEFORE INSTALLING OR PERFORMING MAINTENANCE ON FIXTURE.**

This information deals with fixtures supplied by Techlight along with certain safety issues. It is **NOT** a comprehensive description of how to install these fixtures. Installation contractors must be relied upon for equipment and practices that meet the conditions of each job location. Techlight cannot be responsible for any damage that may occur during or after installation, or for any structure that has been modified by the purchaser or that is used in some way other than our application recommendations.

**⚠ CAUTION: MAKE CERTAIN POWER SUPPLY IS DISCONNECTED DURING INSTALLATION!**

## HARDWARE KIT:

- #12 Self Drilling SS Screws (4X)
- EPDM Bonded SS Sealing Washers (4X)

## TOOLS & MATERIALS REQUIRED:

- 5/16" Hex Driver Bit
- Cordless Drill
- Pipe Thread Sealant

## INSTALLATION - 4" OUTLET BOX

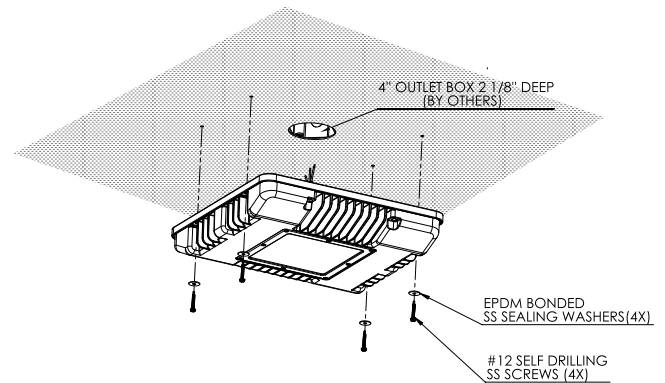
1. Remove the CSL fixture from the packaging taking care not to damage the fixture or the finish. Mounting hardware is provided.
2. Make wire connections to supply power per NEC and local code using suitable wiring connectors (provided by others) in an approved junction box.
3. Align the fixture in final mounting position and insert and tighten the four (4) supplied #12 Self Drilling SS Screws and four (4) EPDM Bonded SS Sealing Washers as shown in **FIGURE 1**.

## INSTALLATION - SIDE CONDUIT ENTRY

1. Remove the CSL fixture from the packaging taking care not to damage the fixture or the finish. Mounting hardware is provided.
2. Align the fixture in final mounting position and insert and tighten the four (4) supplied #12 Self Drilling SS Screws and four (4) EPDM Bonded SS Sealing Washers as shown in **FIGURE 2**. Make sure the factory installed whip is oriented in the direction the 3/4" conduit will be coming into the fixture.
3. Feed the provided 10' whip (specify other lengths as required when ordering) through the 3/4" pipe conduit (provided by others) and screw pipe into fixture threaded opening. Use pipe thread sealant to seal the conduit entry. See **FIGURE 3**.
4. Make wire connections to supply power per NEC and local code using suitable wiring connectors (provided by others) in an approved junction box.

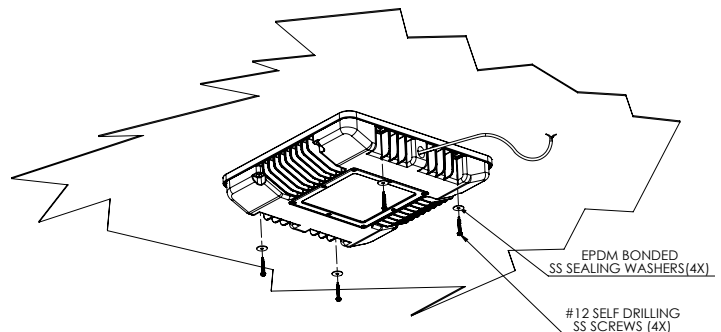
**NOTES** - Fixture must be installed by a licensed electrician. These instructions do not cover all details or variations in equipment, nor do they provide for every uncertainty related to installation, operation, maintenance, or mounting contingency. Should specific problems occur that are not covered sufficiently for the purchaser's purpose, contact Techlight for additional product or application information. Improper installation and/or utilization may void manufacturer's warranty. Techlight assumes no responsibility for claims arising out of improper or careless installation or handling of this product.

**FIGURE 1**



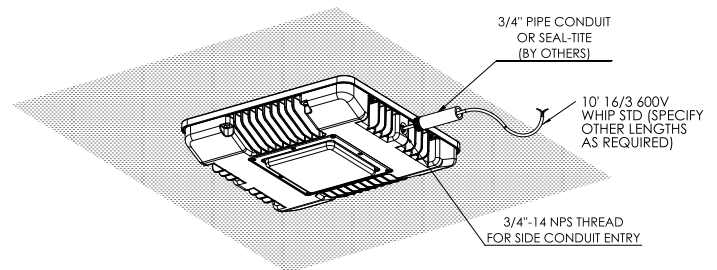
**CSL SERIES (CSL-S)**  
SURFACE MOUNT - NON-PETROLEUM  
(Requires 2-1/8" Deep J-Box min)

**FIGURE 2**



**CSL SERIES (CSL-S-SCE10)**  
SURFACE MOUNT WITH SIDE CONDUIT ENTRY  
ORDERED AS FACTORY INSTALLED OPTION ONLY  
(Requires "SCE10" - Side Conduit Entry, See Spec for Details)

**FIGURE 3**



**CSL SERIES (CSL-S-SCE10)**  
SURFACE MOUNT WITH SIDE CONDUIT ENTRY  
ORDERED AS FACTORY INSTALLED OPTION ONLY  
(Requires "SCE10" - Side Conduit Entry, See Spec for Details)

**NOTE: NO END USER SERVICEABLE PARTS INSIDE LUMINAIRE. DO NOT OPEN OR ATTEMPT TO OPEN LUMINAIRE AT INITIAL INSTALLATION!**