



Catalog Number	
Project	Type

FEATURES & SPECIFICATIONS

APPLICATION —The Genesis Gen2 line of LED Landscape Bullets are the most versatile LED fixtures on the market today. Various beam spreads and wattages allow for a customized finish to any property. The high end residential grade system was designed for low voltage operation residential applications.

CONSTRUCTION — The die cast aluminum heat sink has 24 heat dissipating fins to maintain a cool operating LED for maximum life. The fins are independently supported to allow for unobstructed airflow.

FINISH — A cathodic epoxy electrocoat primer or E-Coat is applied to all die cast aluminum components. E-coating provides the ultimate in corrosion and chemical resistance, providing superior salt spray, humidity and cyclic corrosion endurance. After the E-Coat is applied a super durable polyester powder coat finish is electrostatically applied in our state of the art paint facility.

OPTICAL SYSTEM — Techlight's proprietary OpticapSystem™ utilizes interchangeable optical lenses & reflectors to increase fixture lumen output efficiency. The system is provided with a high performance convex lenticular prismatic flood or a plano-convex spot optical lens. The flood & spot optical lenses are molded from low iron tempered glass. A 96% reflective UV stabilized injection molded reflector is included with each system. A variety of glass color filters are available to meet the designers specific color control needs. The aluminum or brass grill rotates 360° for glare control.

ELECTRICAL SYSTEM — NOTE: A Techlight Surge Protector must be incorporated into the LED system at the beginning of each circuit as a minimum. Failure to do so will void the system warranty. Fixture operates at 120V input voltage. Nominal open circuit current .15 amps. A 17 watt LED source provides approximately 1086 (CW) Lumens of light. System is compatible with the use of a rotary TRIAC Dimmer. Provided with a 15' or 30' 16/3 STW cord (custom lengths available upon request).

MOUNTING — Fixtures are designed to be in-ground well lights and should be installed according to the

WMAR SERIES

Genesis Gen2 Medium LED Burial Light



SERIES	HOUSING HEIGHT	DIAMETER
WMAR	12"	5.6"

installation instructions made available by Techlight. Proper drainage and substrate must be provided for water to flow freely through the well sleeve.

LISTINGS — ETL listed for wet locations (IP67). Meets US and Canadian safety standards. -40°C to 40°C ambient operation.

WARRANTY — Techlight warrants the LED lighting Product(s) to be free from defects in material and workmanship for a period of three years for LED Light Engines and LED Power Components, from the date of shipment. Ground mounted products that are provided standard with our proprietary E-Coat pretreatment prior to the application of a powdercoat finish will carry a full 10 year finish warranty. Proper maintenance is required for full finish warranty.

ORDERING INFORMATION

Choose the bold face options for the appropriate luminaire configuration for your application and enter on the line above each fixture attribute. Accessories may be factory installed, depending on the particular accessory chosen, but still be ordered as a separate line item.

EXAMPLE:

WMAR FL 17 NW 120 BK

WMAR	DISTRIBUTION	WATTAGE	COLOR TEMP	VOLTAGE	FINISH	CORD
	FL = Flood (60°) SP = Spot (20°)	17 = 17W	CW = Cool White NW = Neutral White WW = Warm White	120 = 120V	BK = Black	Blank = 15' Cord C30 = 30' Cord SP1 = Custom Length

ACCESSORIES

(Order as separate line items)

- 100180²** 10kV Surge Protector
- LEDMFG120LENS** Green Glass Lens Filter (each)
- LEDMB120LENS** Blue Glass Lens Filter (each)
- TLHB800RCH** Digital Timer
- GL2CAPCVXFLDREFL** 60° Flood OpticapSystem™ Field Installable Flood Optic
- GL2CAPSPOPTREFL** 20° Spot OpticapSystem™ Field Installable Spot Optic

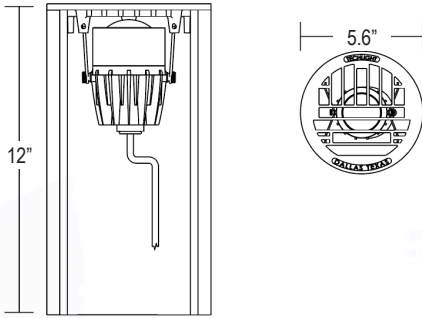
NOTES

- Contact factory for custom length cords.
- A Techlight Surge Protector must be incorporated into the LED system at the beginning of each circuit as a minimum. Failure to do so will void the system warranty.



AVAILABLE FIXTURE DIMENSIONS

Dimensions shown are for fixture bodies only. Mounting options must be ordered separately.



ACCESSORIES

GL2CAPCVXFLDREFL

60° Flood OpticapSystem™
Field Installable Flood Optic



Change the optic on the job by simply swapping the OpticapSystem™ on any fixture

100180¹

10kV Surge Protector



LEDMFG120LENS

Green Glass Lens Filter (each)



GL2CAPSPOPTREFL

20° Spot OpticapSystem™
Field Installable Spot Optic



Change the optic on the job by simply swapping the OpticapSystem™ on any fixture

TLHB800RCH

Digital Timer



LEDMB120LENS

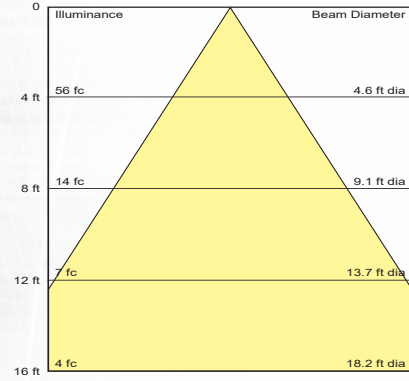
Blue Glass Lens Filter (each)



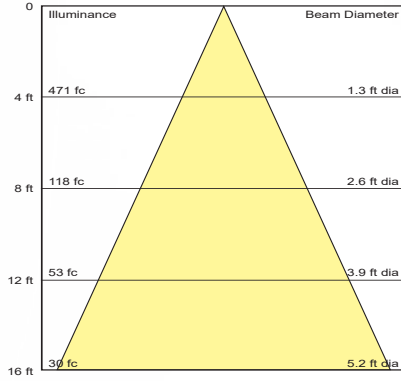
PERFORMANCE

ILLUMINANCE CONE DIAGRAMS

WMARFL17CW120 17W WMAR LED
Flood Optic Color Temperature: 5,900 K



WMARSP17CW120 17W WMAR LED
Spot Optic Color Temperature: 5,900 K



*Delivered lumens shown do not include light loss due to the fixture grill or lens.

Fixture	Color Temp	17W Lumen Output	
		FL	SP
WMAR	CW (5900K)	1086	1171
	NW (4000K)	1039	1119
	WW (3000K)	1022	1101

WARNING: The driver assembly is wired and programmed specific to the unit configuration ordered. Any attempt to modify this unit will void the warranty.

